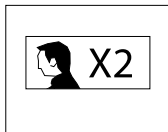
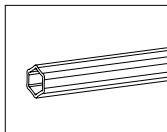
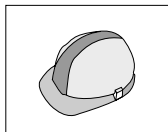
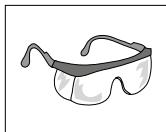
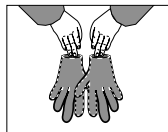
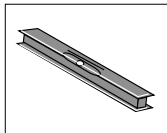
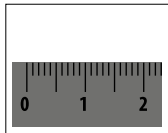
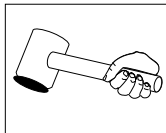
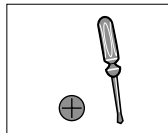
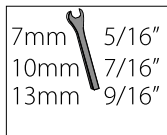
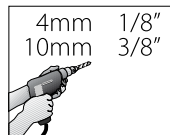
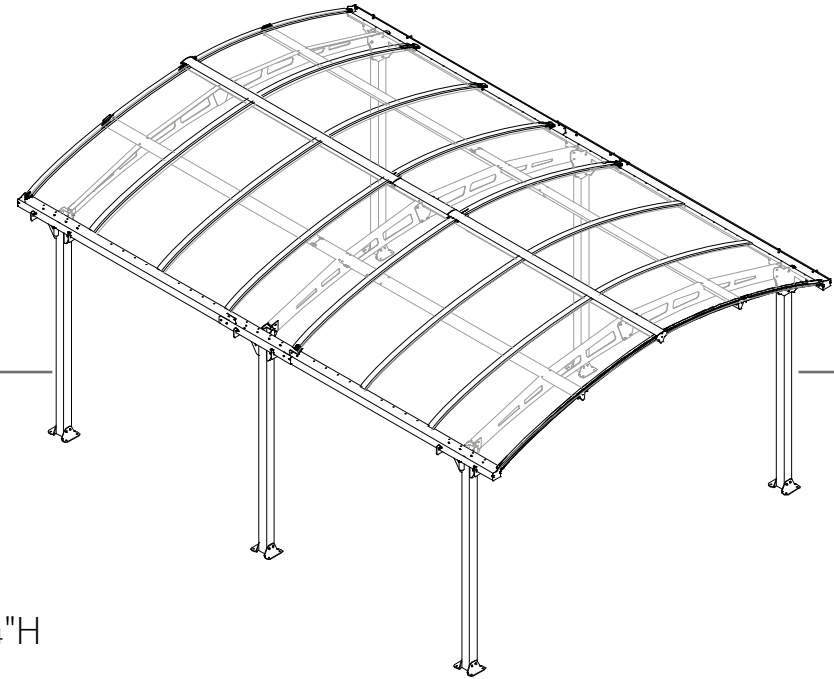




*Assembly Instructions*  
*Montageanleitung*  
*Instructions de montage*

## Arcadia 5000

501D x 363W x 242H cm / 16'5"D x 11'10<sup>3</sup>/<sub>4</sub>"W x 7'11<sup>1</sup>/<sub>4</sub>"H



**IMPORTANT**

Please read these instructions carefully before you start to assemble this carport.  
Please carry out the steps in the order set out in these instructions.  
Keep these instructions in a safe place for future reference.

⇒ **Care and Safety advice**

- Please follow the instructions as listed in this manual.
- Sort the parts and check against the list of contents.
- For safety purposes we strongly recommend that the product will be assembled by at least two people.
- Some parts have metal edges. Please be careful when handling components. Always wear gloves, shoes and safety goggles during assembly.
- Do not attempt to assemble the carport in windy or wet conditions.
- Dispose of all plastic bags safely – keep them out of reach of small children.
- Keep children away from the assembly area.
- Do not attempt to assemble the carport if you are tired, have taken drugs, medications or alcohol, or if you are prone to dizzy spells.
- When using a stepladder or power tools, ensure that you follow the manufacturer's safety advice.
- Do not climb or stand on the roof.
- Heavy articles should not be leaned against the poles.
- Please consult your local authorities if any permits are required to erect carport.
- Keep roof and gutters clean of snow, dirt & leaves.
- Heavy amounts of snow on roof can damage the carport making it unsafe to stand below or nearby.
- This product was designed and produced to be a carport only.

⇒ **Some versions of this carport are painted.**

If color was scratched during assembly it can be fixed with a brush using the following tints:

White – RAL 9016

Gray – RAL 7012

⇒ **Cleaning instructions**

When your carport needs cleaning, use a mild detergent solution and rinse with cold clean water.  
Do not use acetone, abrasive cleaners, or others special detergents to clean the panel.

⇒ **Before stating assembly**

- This carport must be assembled on a solid base (such as concrete or asphalt).
- Choose your site carefully before beginning assembly. Site surface (mainly below poles) needs to be level.
- During assembly use a soft platform below the parts to avoid scratches and damages.

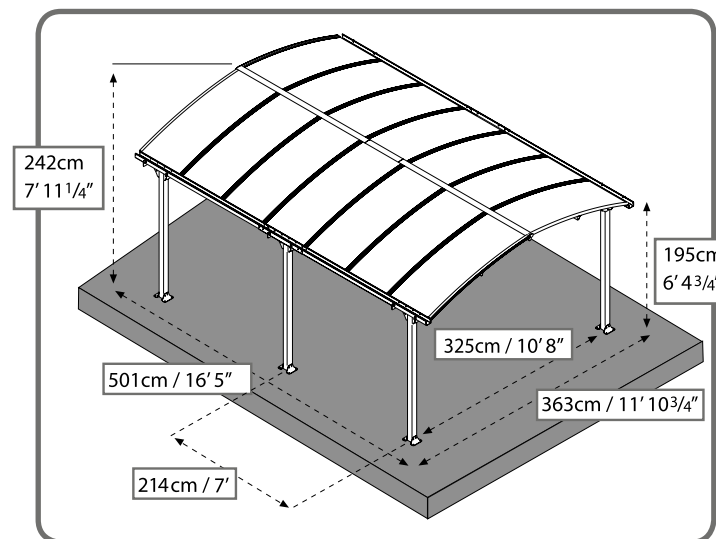
⇒ **Tools & Equipment**

- Drill & Drill bits
- Wrench
- Phillips head screwdriver (do not use impact drill)
- Mallet
- Tape measure
- Level
- Step ladder
- Lubricant
- Cleaning Towel
- Work gloves
- Safety Goggles
- Helmet
- T001 - Special tool for Screws 411 and nuts 412 included

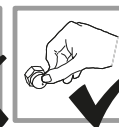
⇒ **Notes (by steps)**

**Step 7:** Screw 4000 intended to keep the parts (gable) stable till gutters will be assembled. If a third person can hold the parts till step 8, this screw can be assembled with all the others at step 30.

**Step 12:** Clean the profile before using the sealing sticker (part 54).



During assembly some screws are fastened fully by wrench while others are fastened just after the whole carport is assembled and leveled (step 21).

**Notice the marks on each step:**

Screws should be tightened



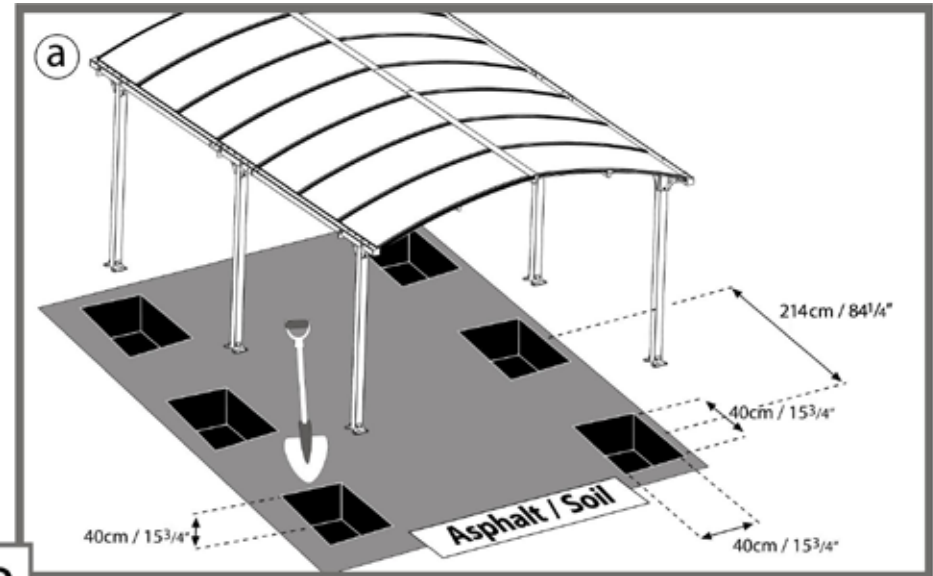
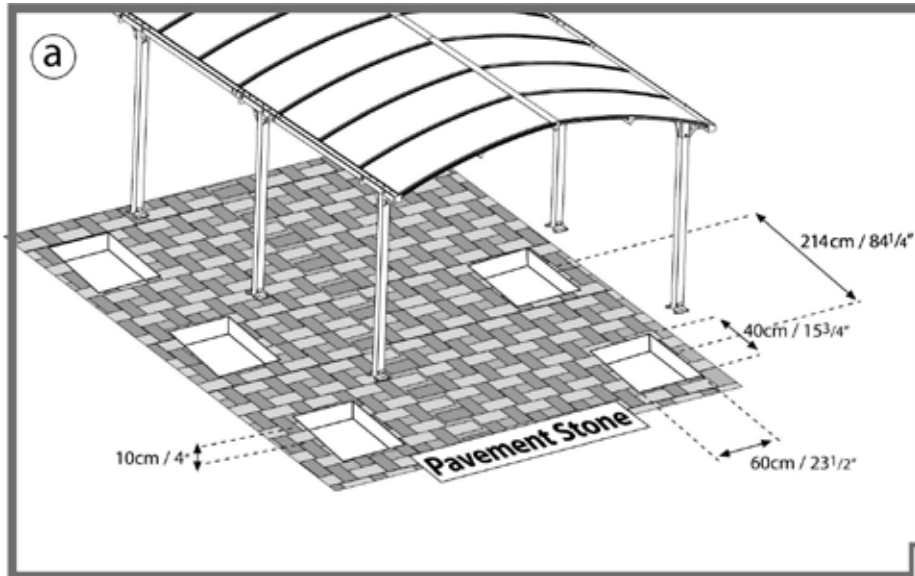
Screws should not be tightened



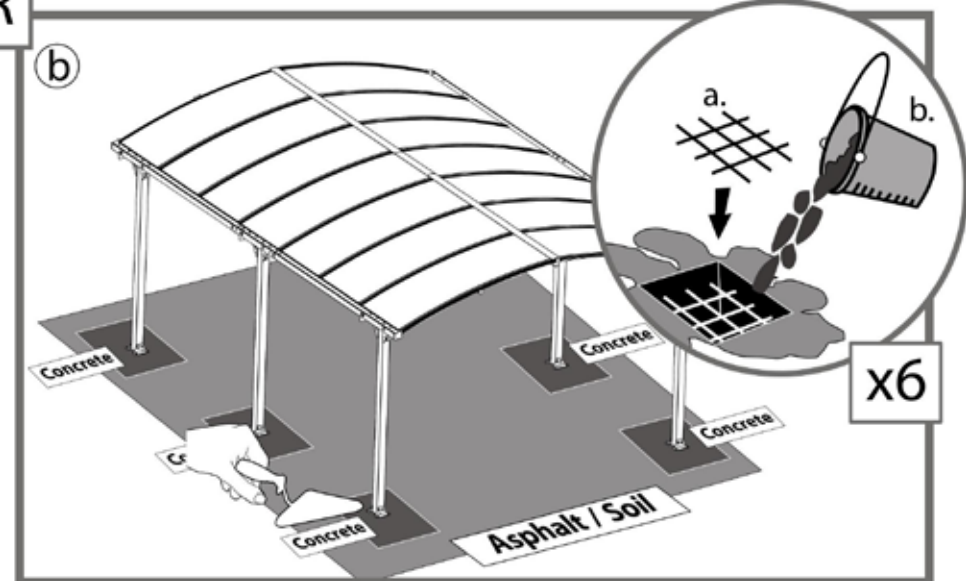
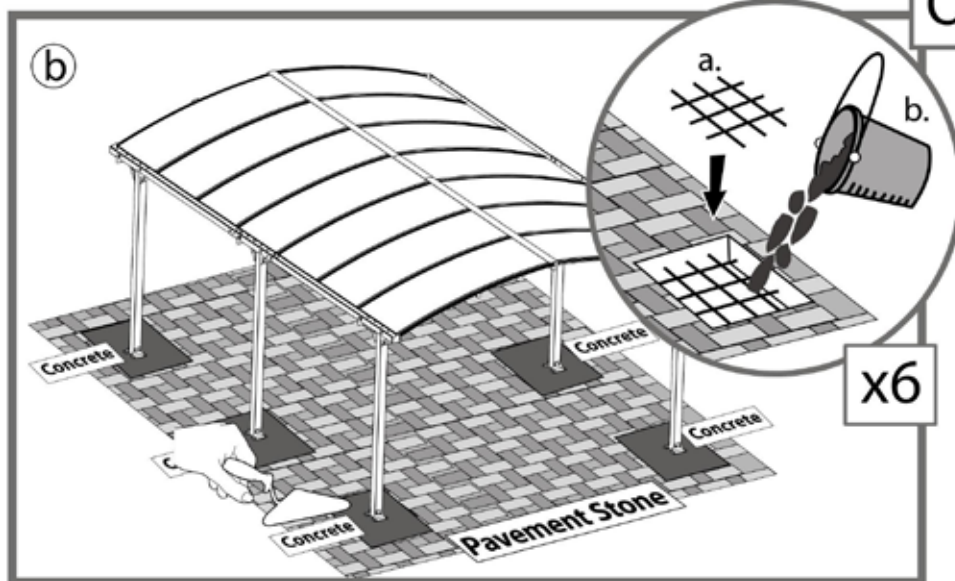
**EN** This carport should be assembled on a solid base (such as concrete). Without solid base, pre-foundation, that will include concrete and metal, is needed as in this drawing

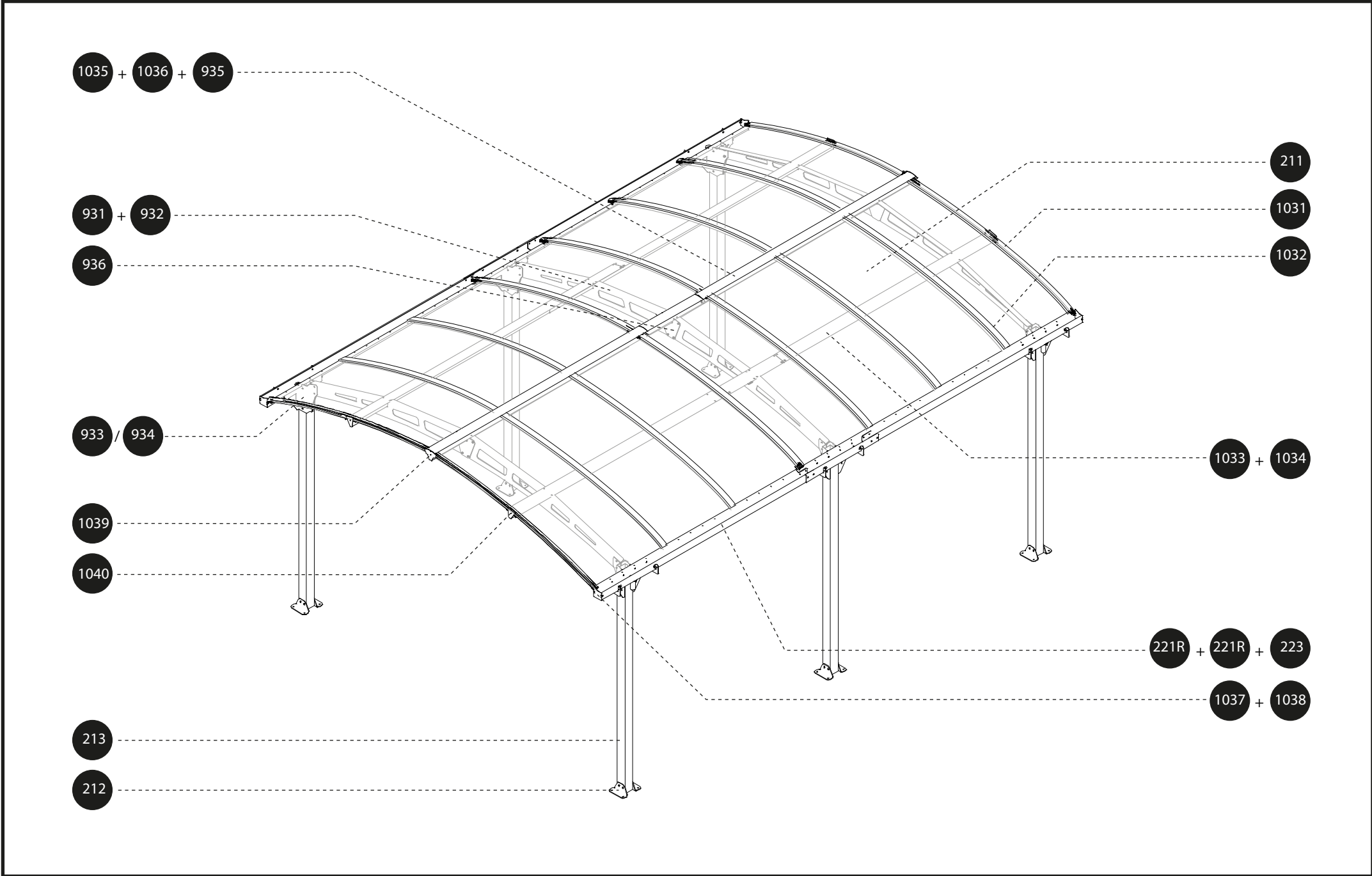
**DE** Dieser Carport sollte auf einem festen Untergrund (wie zum Beispiel einer Betonfläche) aufgebaut werden. Ohne festen Untergrund benötigen Sie ein Vorfundament, dass aus Beton und Metall besteht, wie in folgender Abbildung gezeigt.

**FR** Le montage de cet abri de voiture doit être réalisé sur une base solide, par exemple du béton. A défaut de base solide, le montage nécessite le coulage de fondations préalables à base de béton et de métal, comme indiqué sur le schéma.



OR



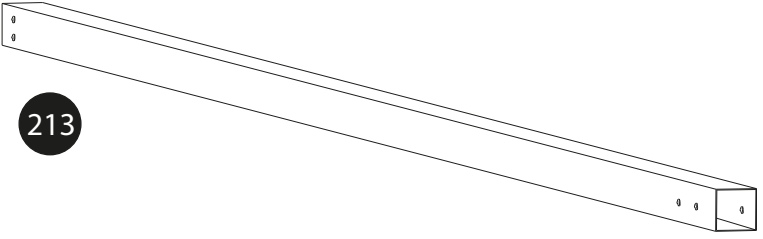

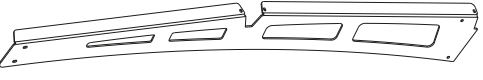



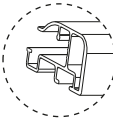


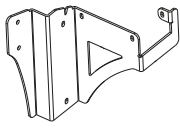
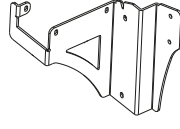


# Contents

Item cm/Inc Qty.

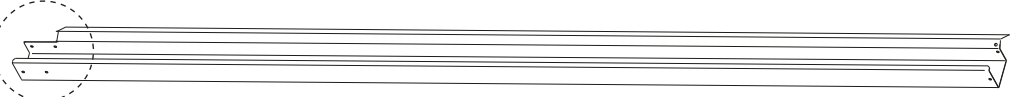
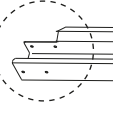
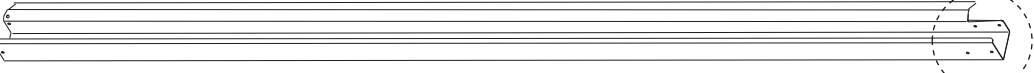
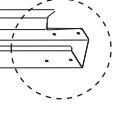
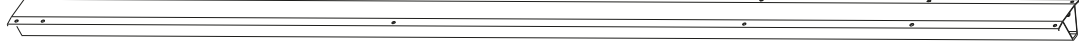

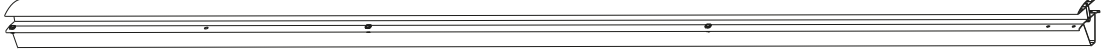

Package 3/3



213		x6
931		x3
932		x3
1032	 	x12
1031	 	x4



933		x6	934		x6
-----	---	----	-----	---	----



Item cm/Inc Qty.

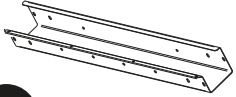
Package 2/3

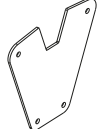
221R	 	x2
221L	 	x2
1033	 	x4
1036	 	x2

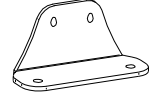
1034	 	x2
------	---	----

1035	 	x1
------	--	----

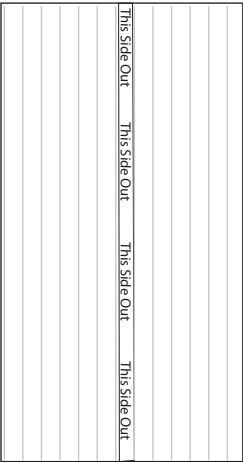

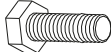
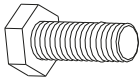



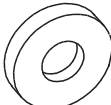
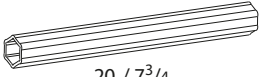

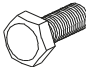



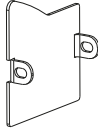
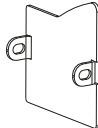




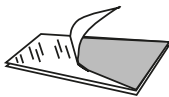
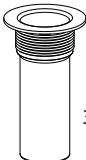

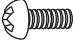


935	 	x3
-----	--	----

223		x2
-----	--	----

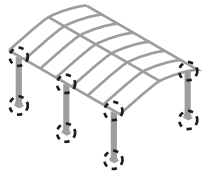
936		x6
-----	---	----

212		x12
-----	---	-----

# Contents

Item	cm/Inc	Qty.	Item	cm/Inc	Qty.	Item	cm/Inc	Qty.	Item	cm/Inc	Qty.	Item	cm/Inc	Qty.
<b>Package 1/3</b>  <b>211</b>			<b>Package 3/3</b> <b>Kit no. 1</b>  <b>424</b> M8 100mm / 4" spare x25 (1)  <b>4038</b> M8 25mm / 1" spare x13 (1)  <b>4039</b> M10 25mm / 1" spare x13 (1)  <b>414</b> M8 spare x39 (3)  <b>4041</b> M10 spare x13 (1)  <b>433</b> M8 spare x75 (3)  <b>4040</b> M10 spare x25 (1)			<b>Kit no. 4</b> <b>T001</b>  <b>T001</b> 20 / 7 <sup>3</sup> / <sub>4</sub> x1  <b>411</b> M6 spare x44 (4)  <b>416</b> M6 spare x118 (4)  <b>466</b> M6 spare x159 (5)  <b>426</b> M8 spare x13 (1)  <b>425</b> 1/4" spare x118 (4)			<b>Kit no. 5</b>  <b>1037</b> x2  <b>1038</b> x2  <b>1039</b> x2  <b>1040</b> x4  <b>450</b> 32mm / 1 <sup>1</sup> / <sub>4</sub> " spare x8 (1)  <b>5000</b> spare x25 (1)			<b>Kit no. 5</b>  <b>54</b> x2  <b>225</b> 35 mm 1 <sup>3</sup> / <sub>8</sub> " x4  <b>226</b> x4 <hr/> <b>Kit no. 3</b>  <b>421</b> M4 16mm / 5/8" spare x59 (3)  <b>427</b> M4 spare x59 (3)  <b>422</b> M4 spare x59 (3)		

1



213 .....x6

933 .....x6

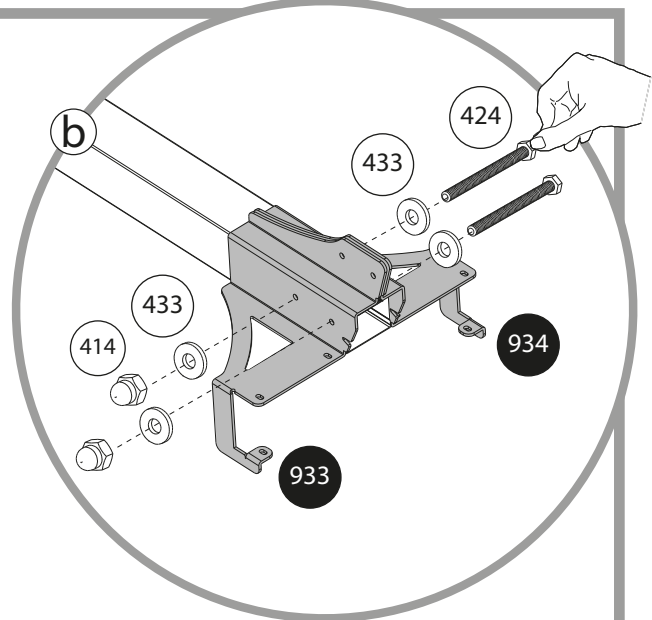
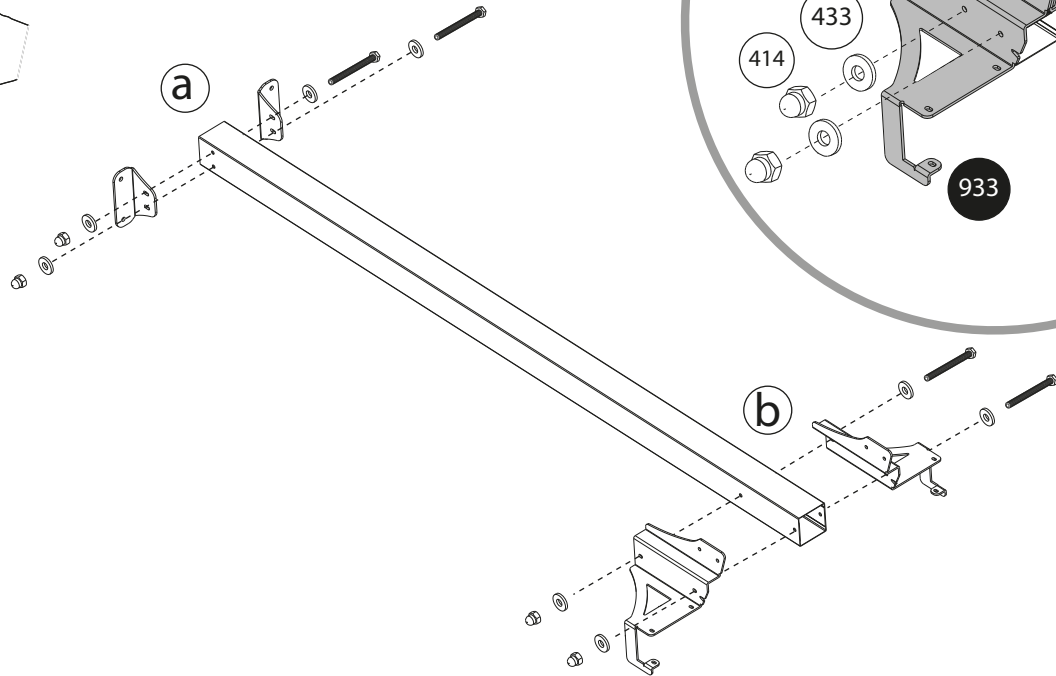
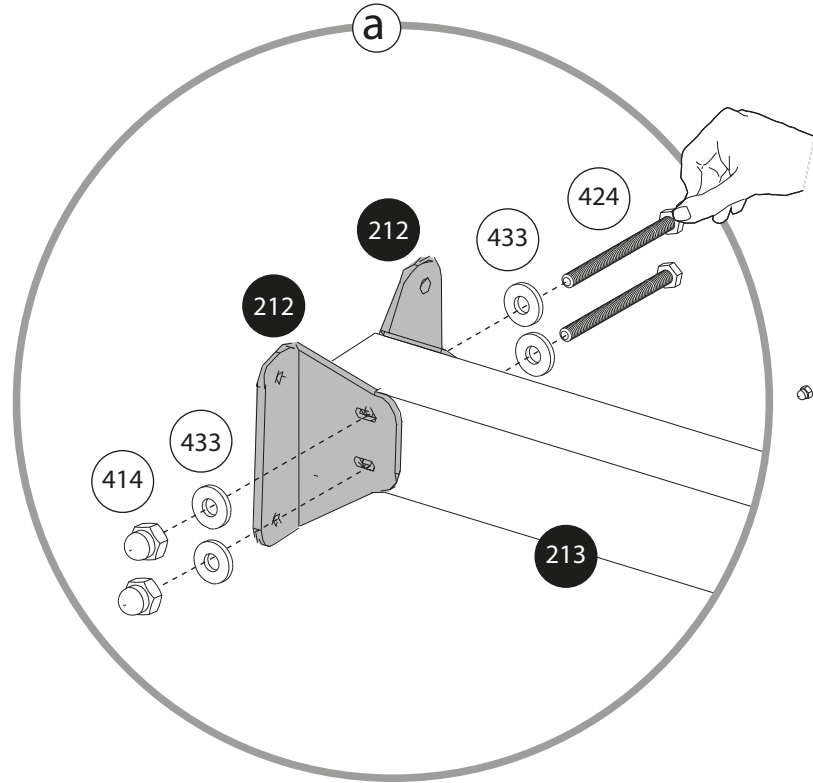
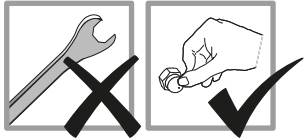
934 .....x6

212 .....x12

414 .....x24

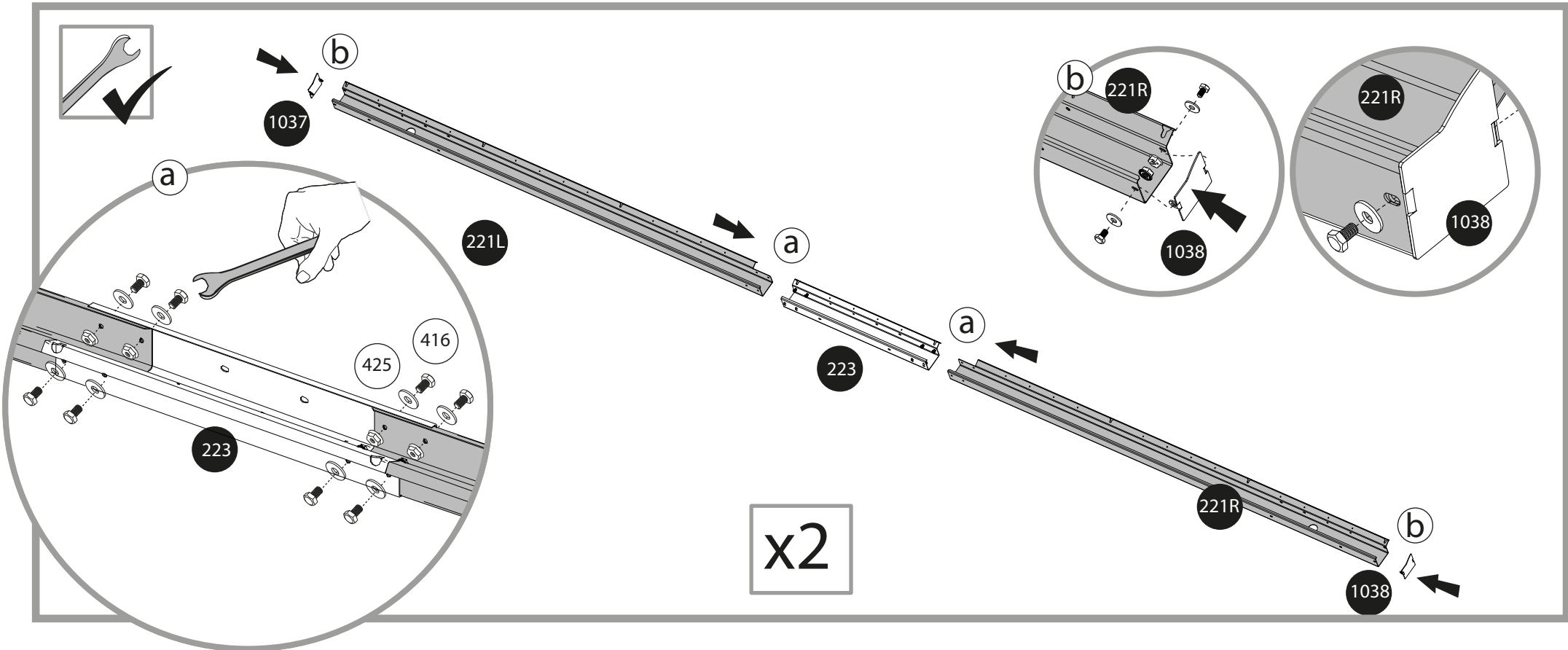
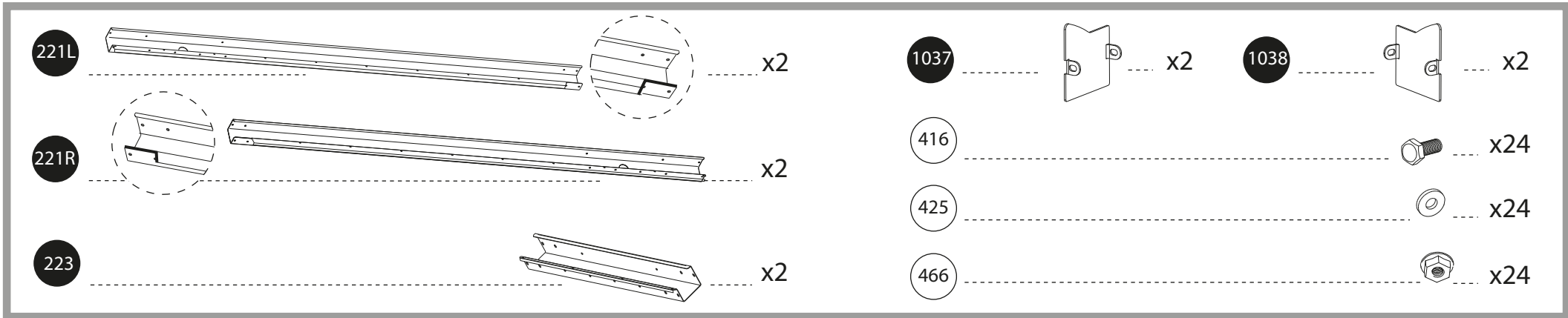
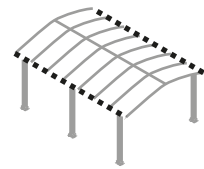
433 .....x48

424 .....x24

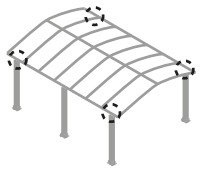


x6

2



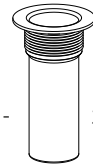
3



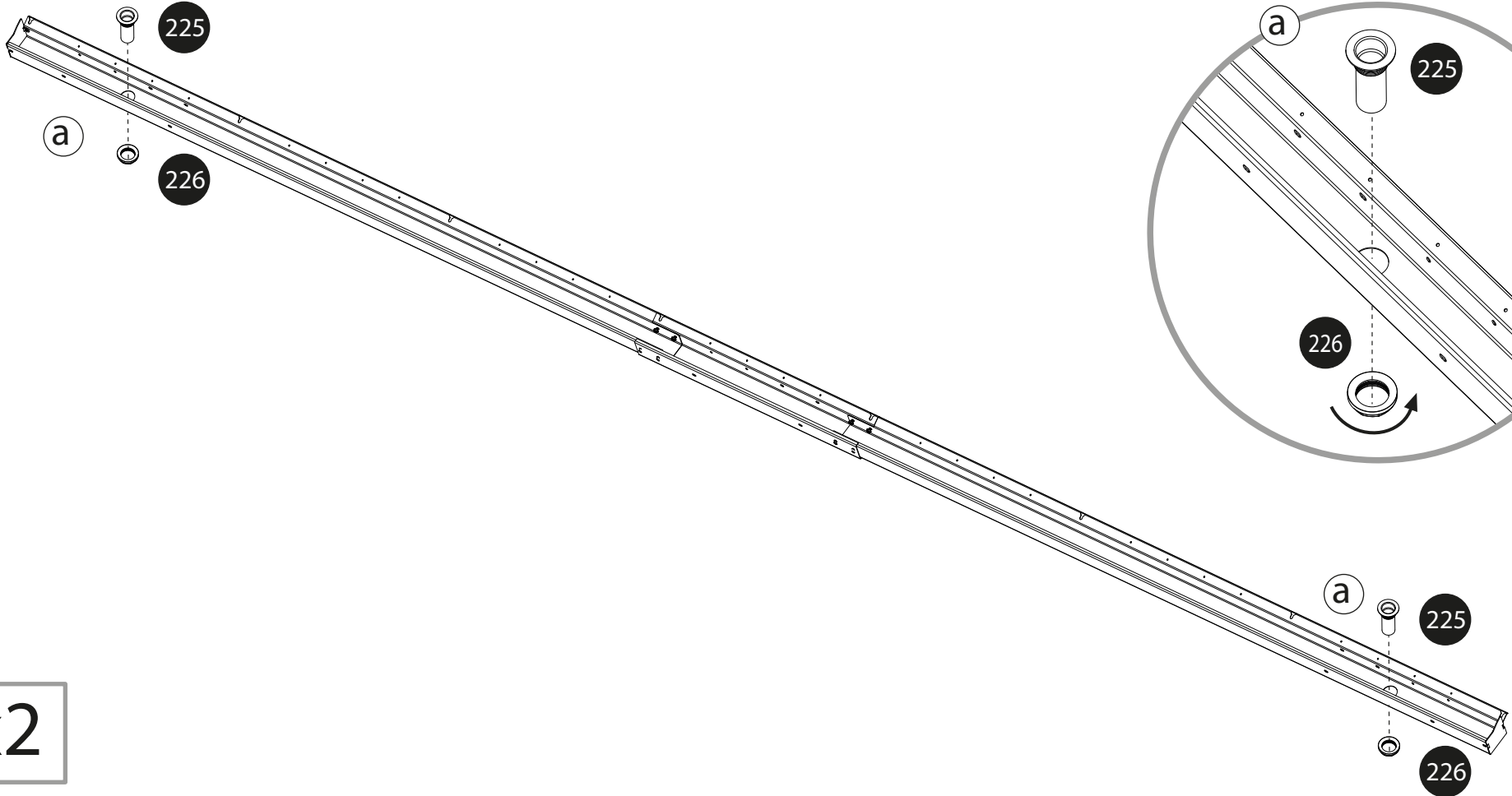
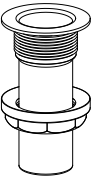
226 ..... x4



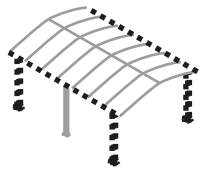
225 ..... x4



35 mm  
1 3/8"



x2



416



x24

466

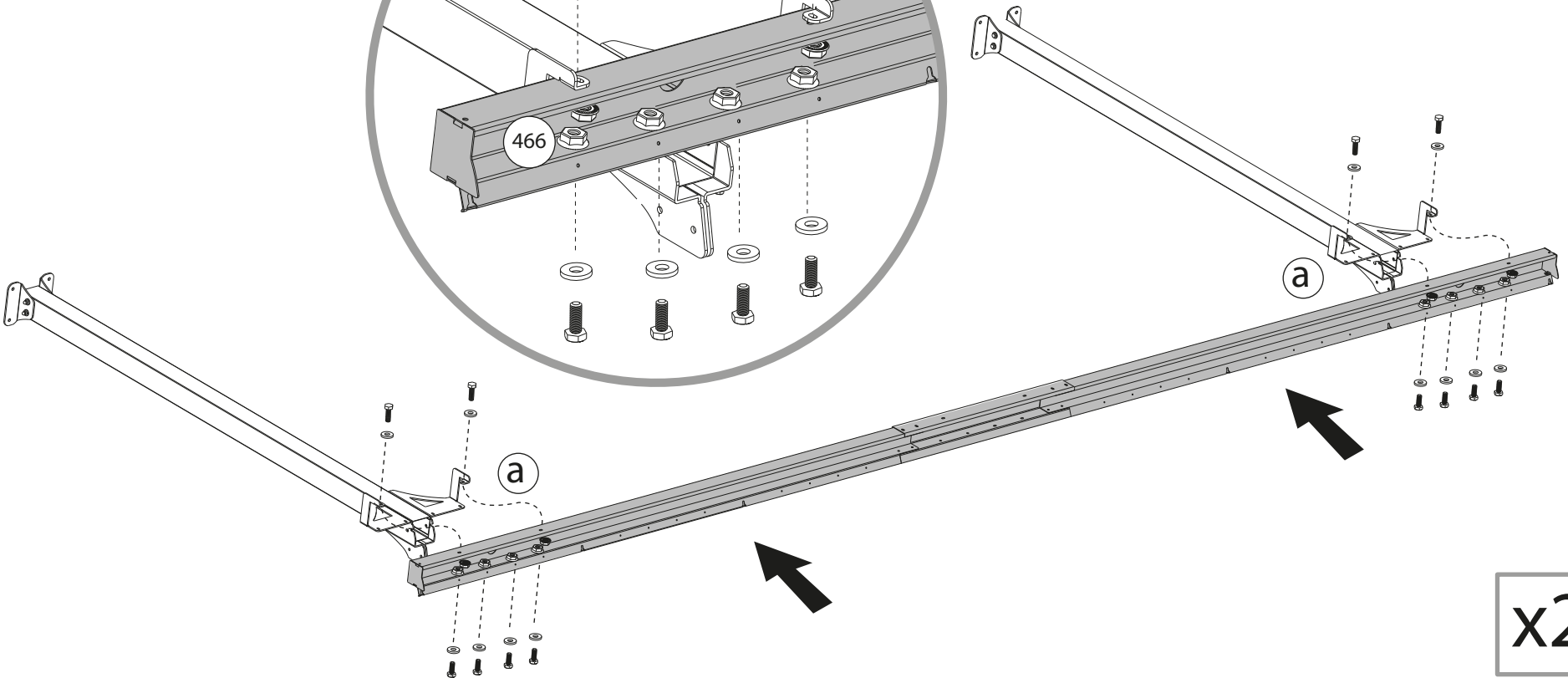
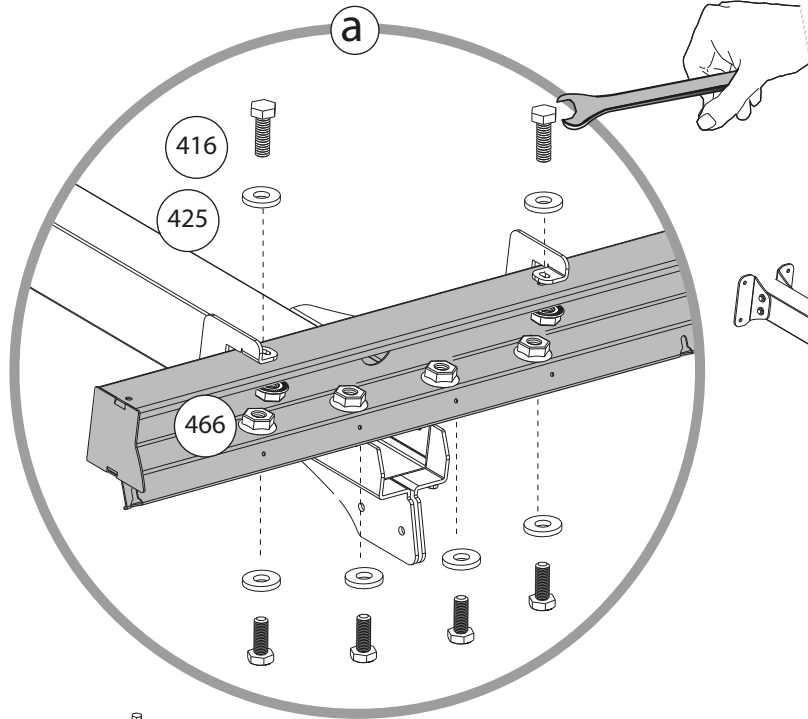


x24

425



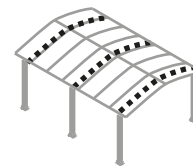
x24



X2

x2





931 ..... x3

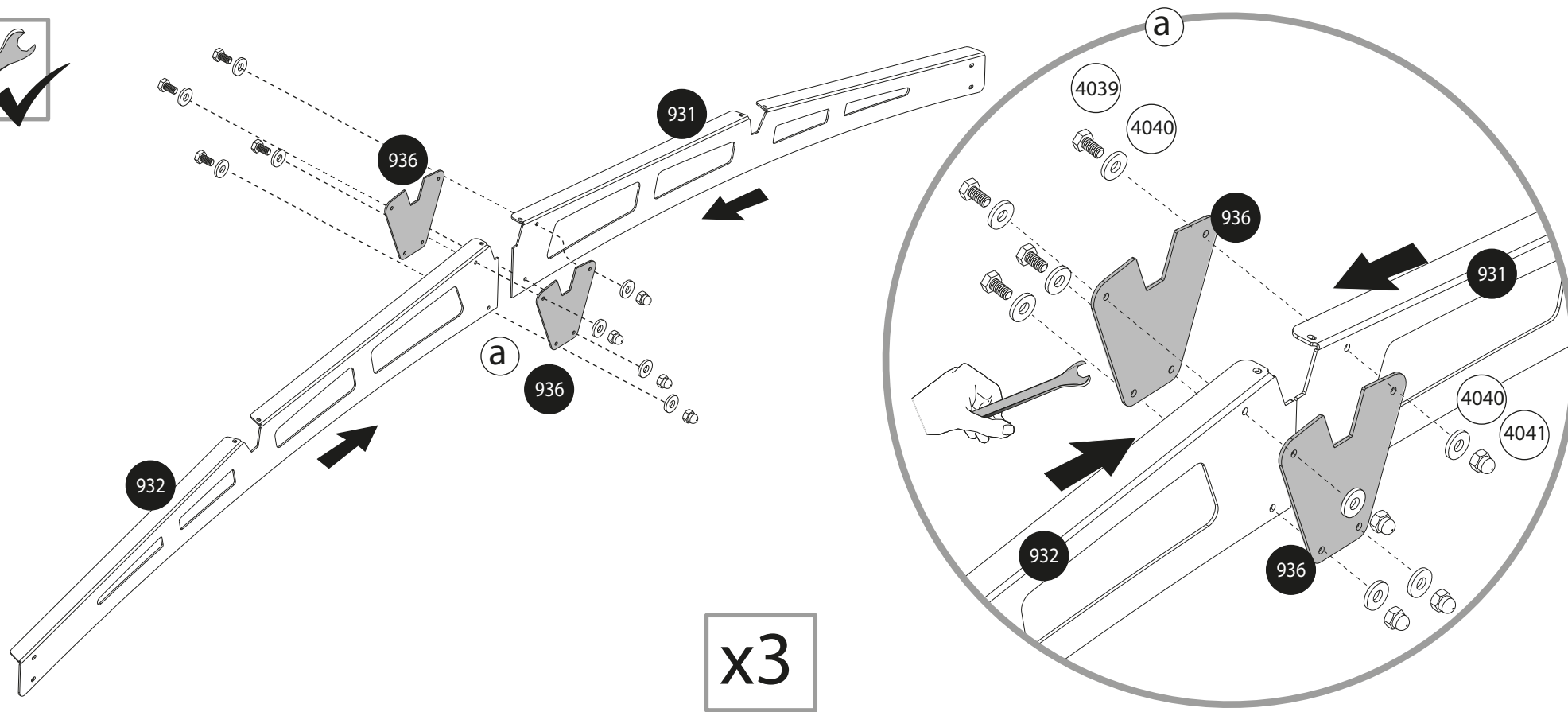
936 ..... x6

4039 ..... x12

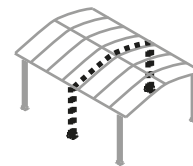
932 ..... x3

4040 ..... x24

4041 ..... x12



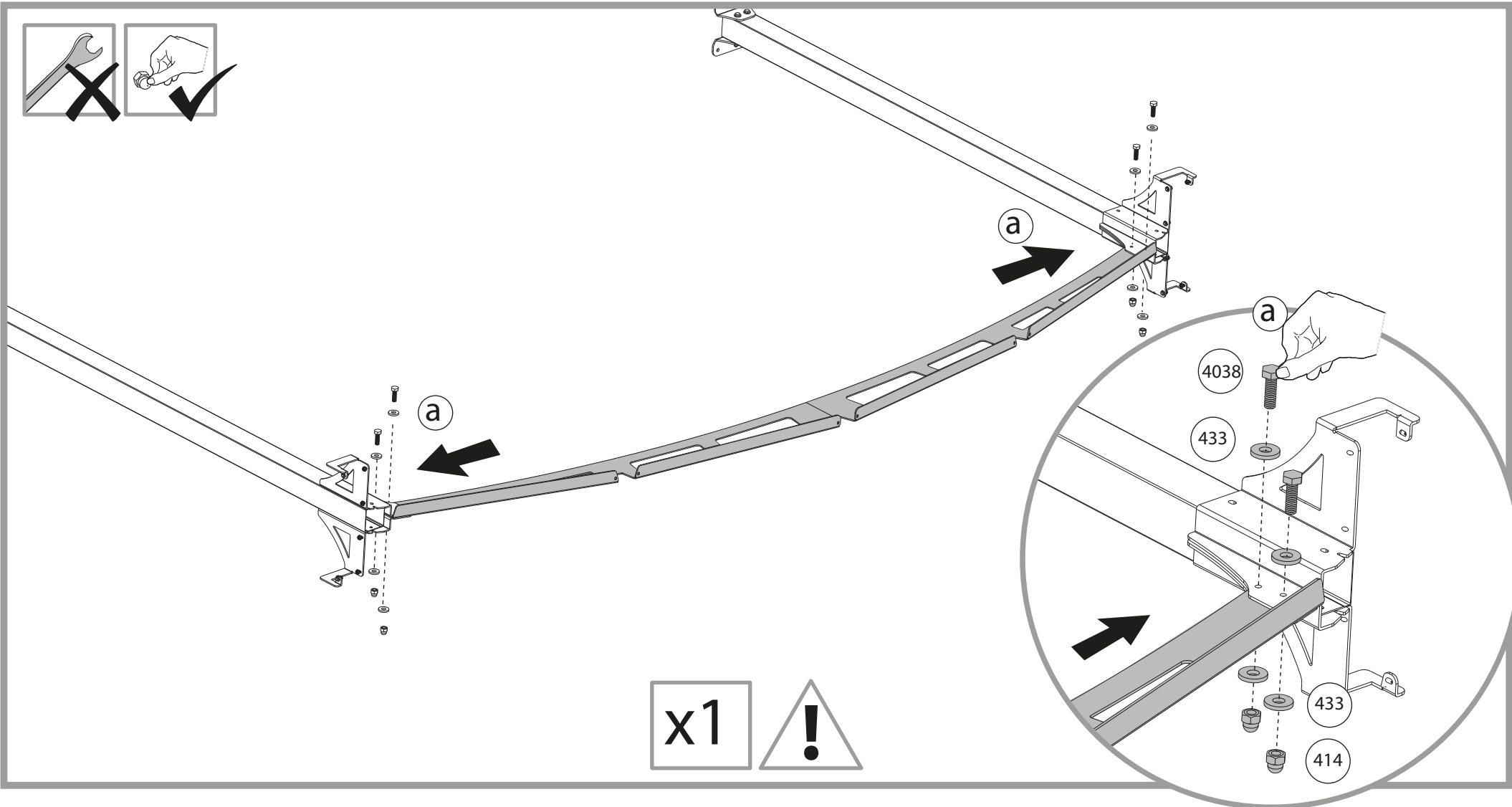
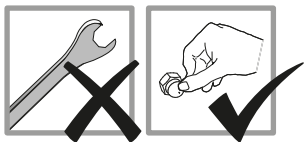
x3



4038 ..... x4

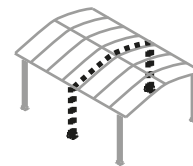
433 ..... x8

414 ..... x4



x1

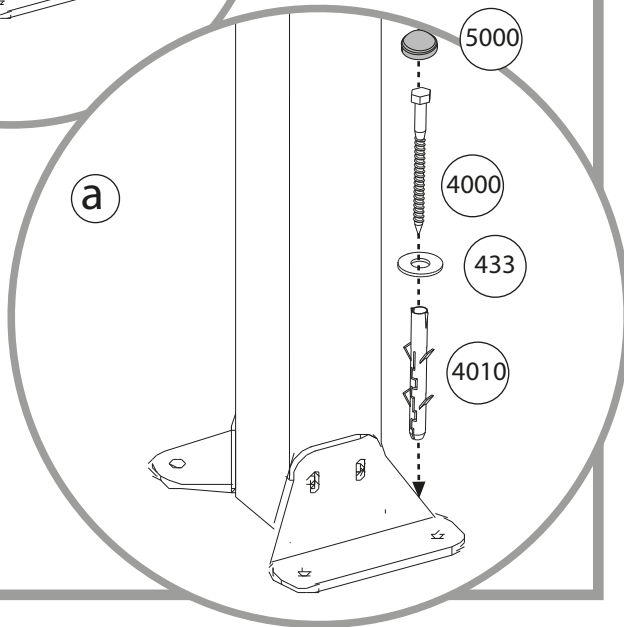
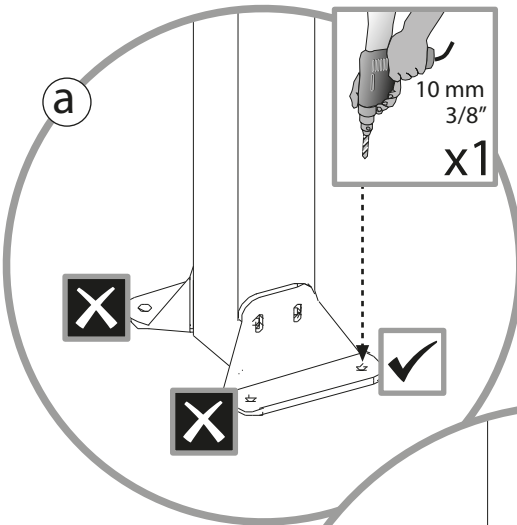
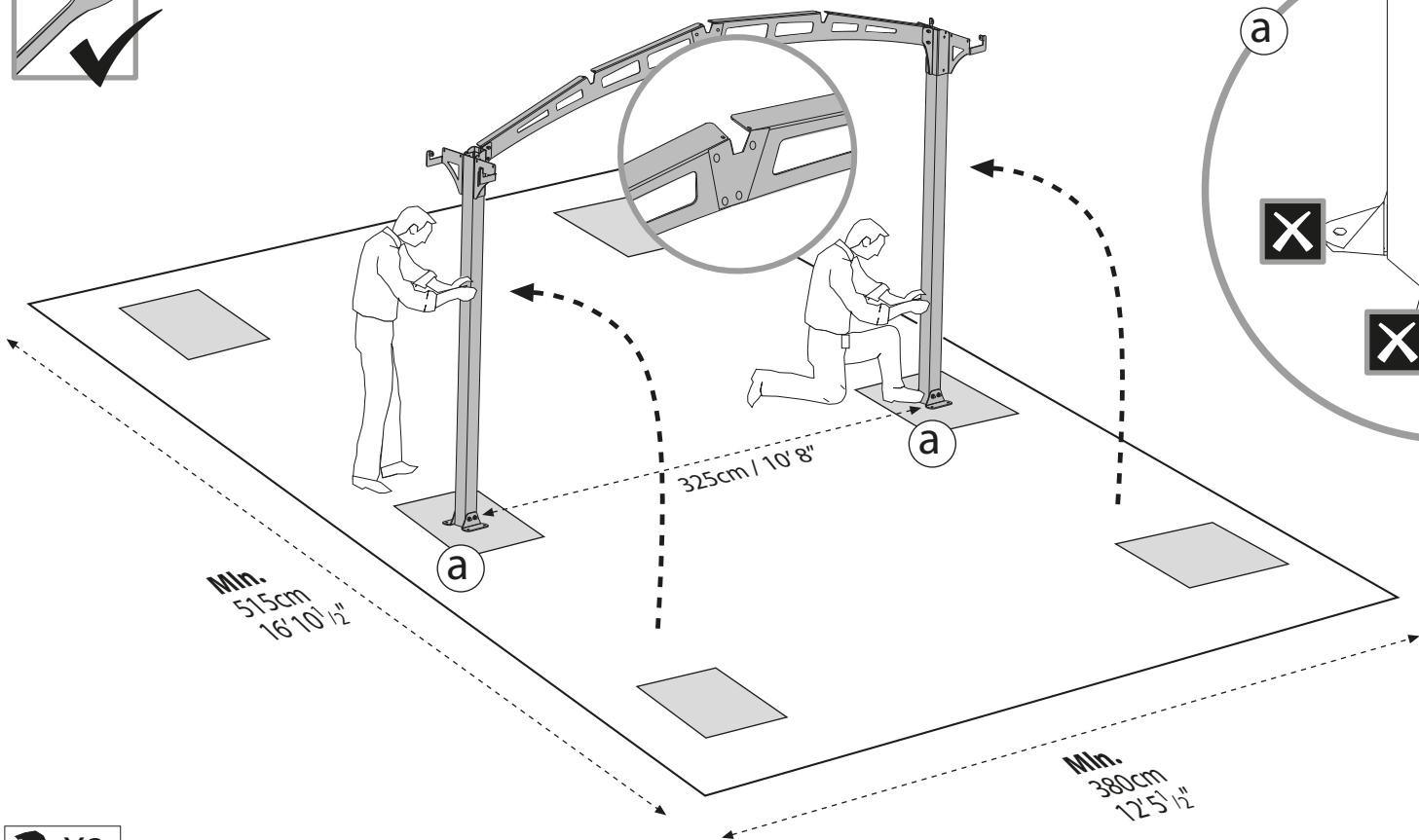


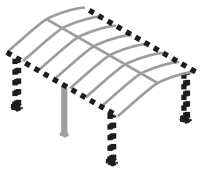


433 ..... x2      5000 ..... x2

4010 ..... x2

4000 ..... x2





416



x12

466

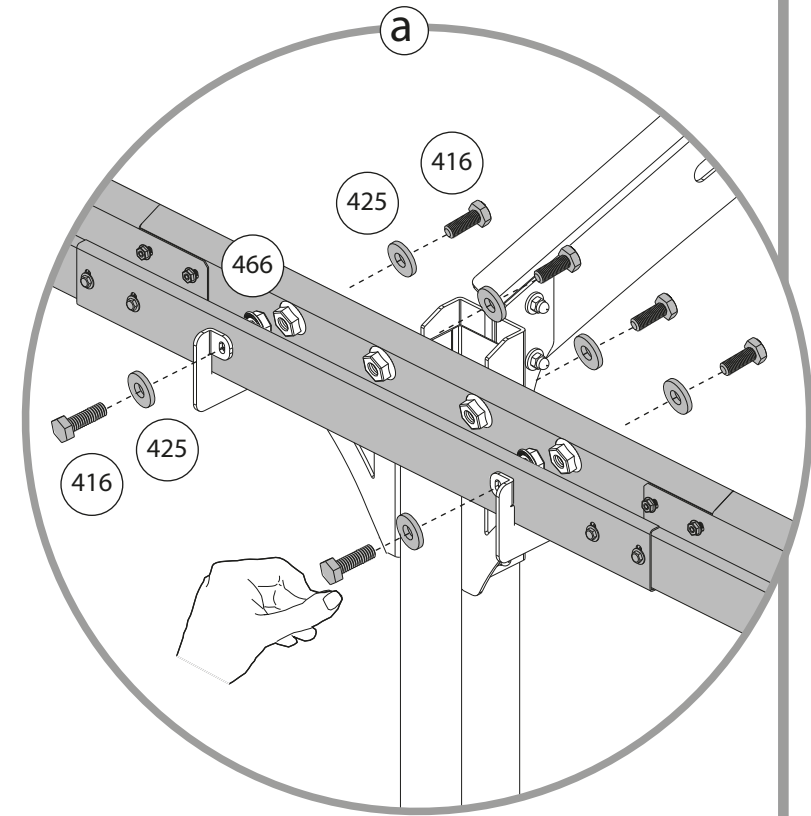
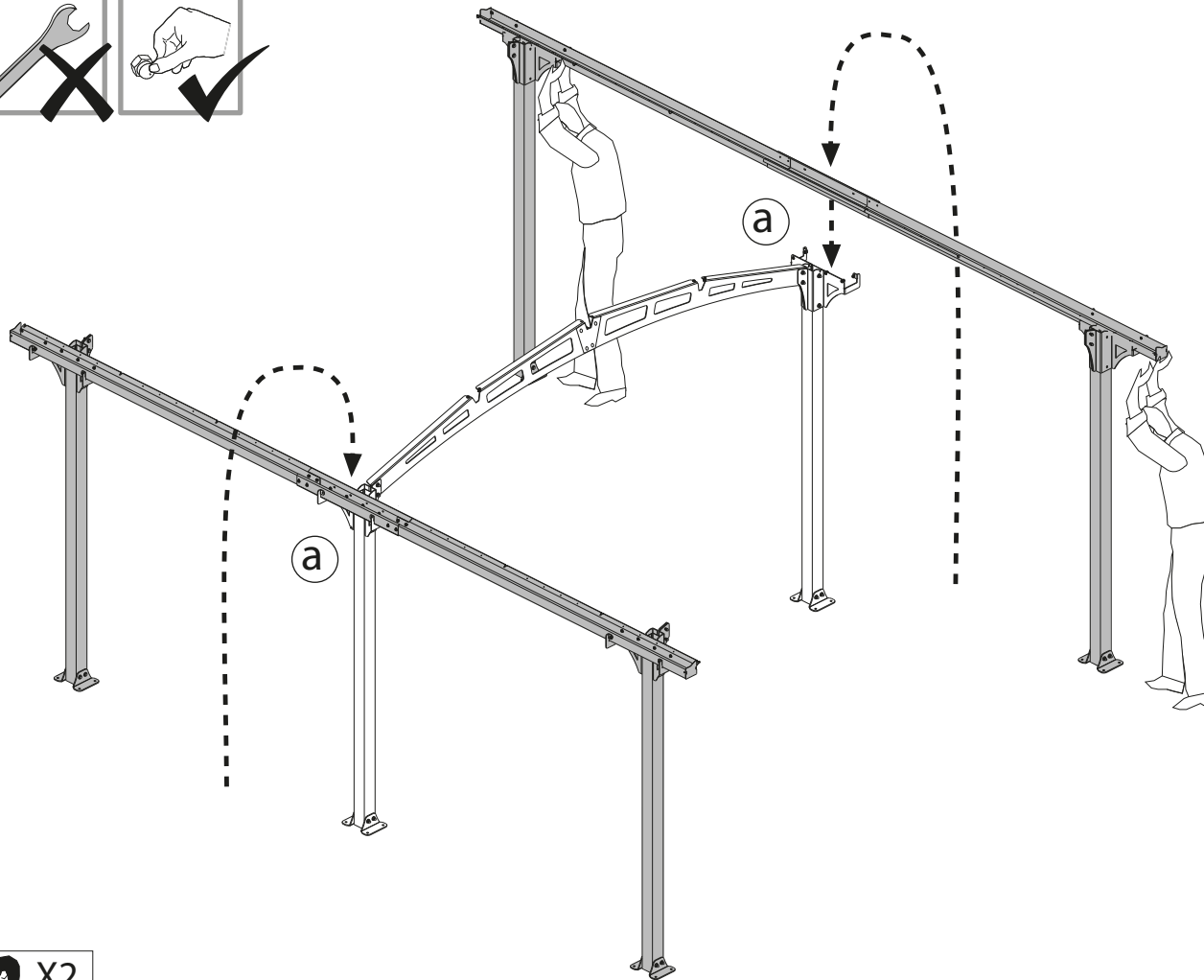
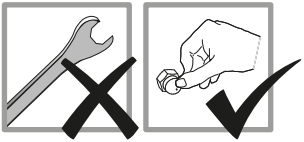


x12

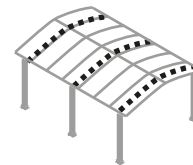
425



x12



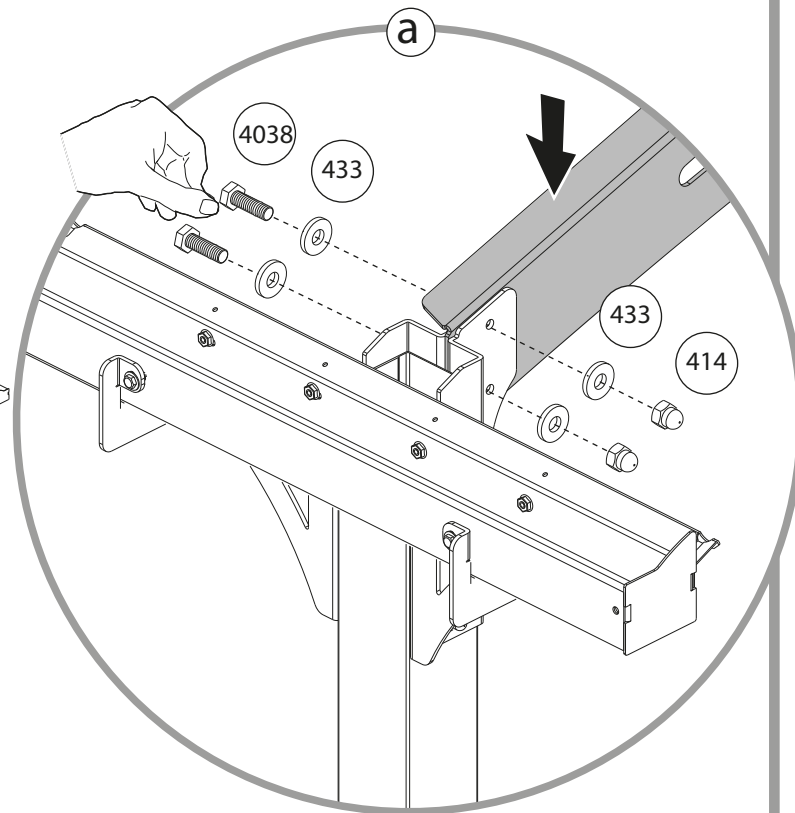
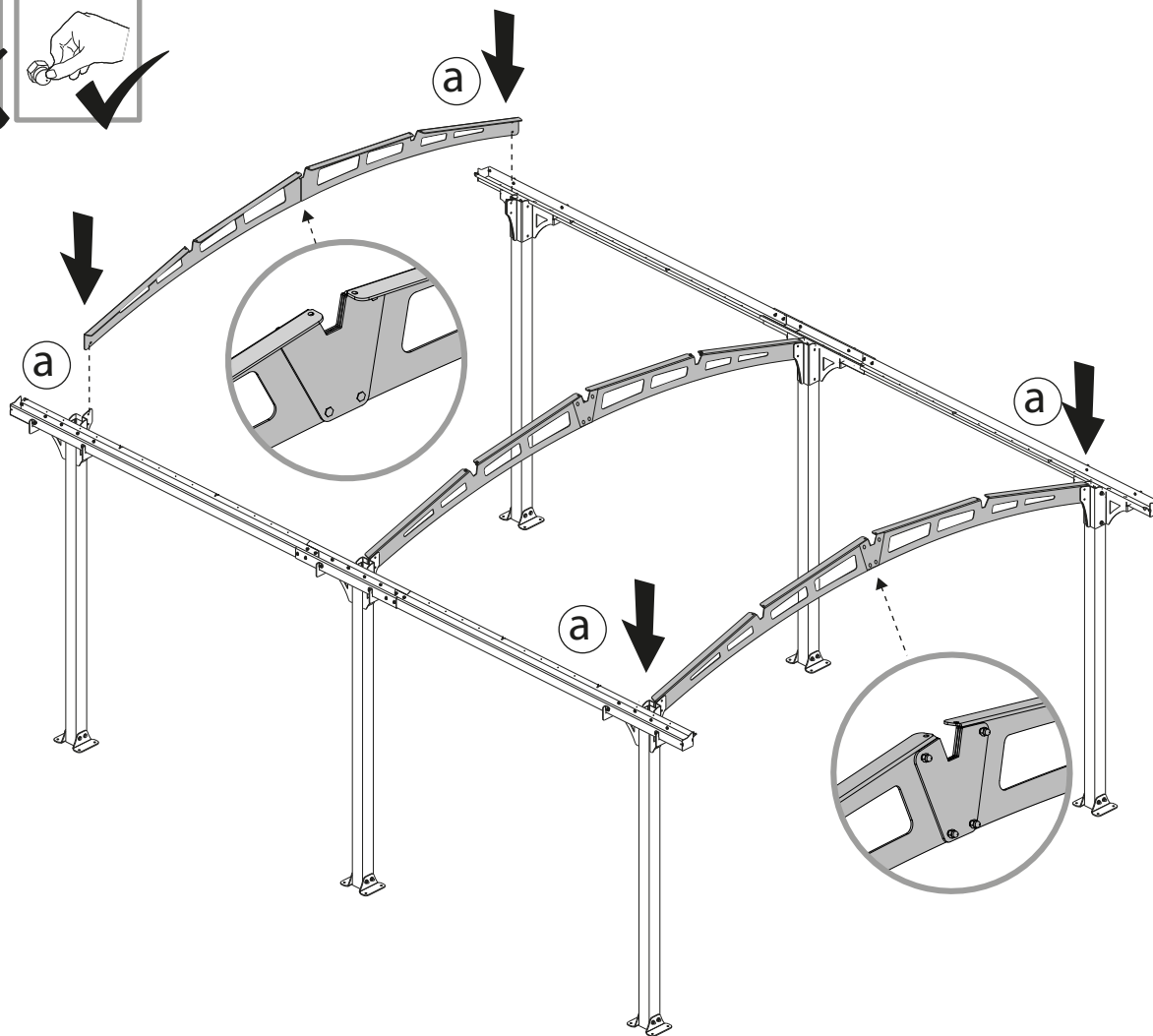
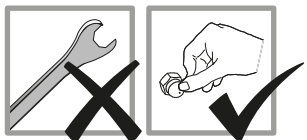
X2



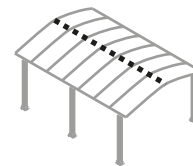
4038 .....  ..... x8

433 .....  ..... x16

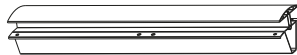
414 .....  ..... x8



 X2



1035 ..... x1



935 ..... x1



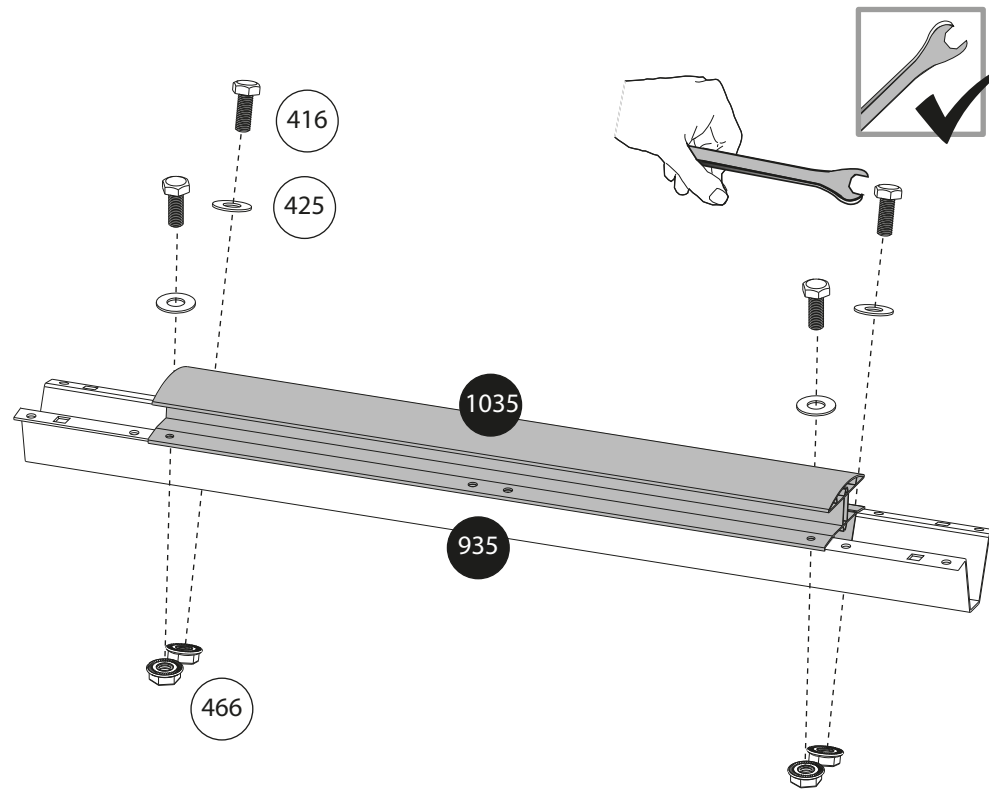
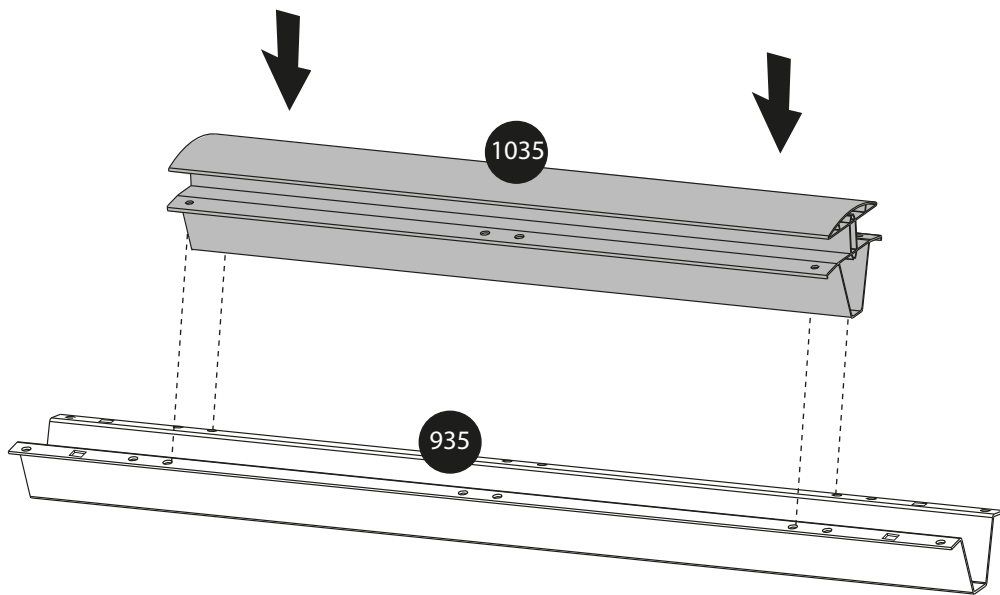
416 ..... x4



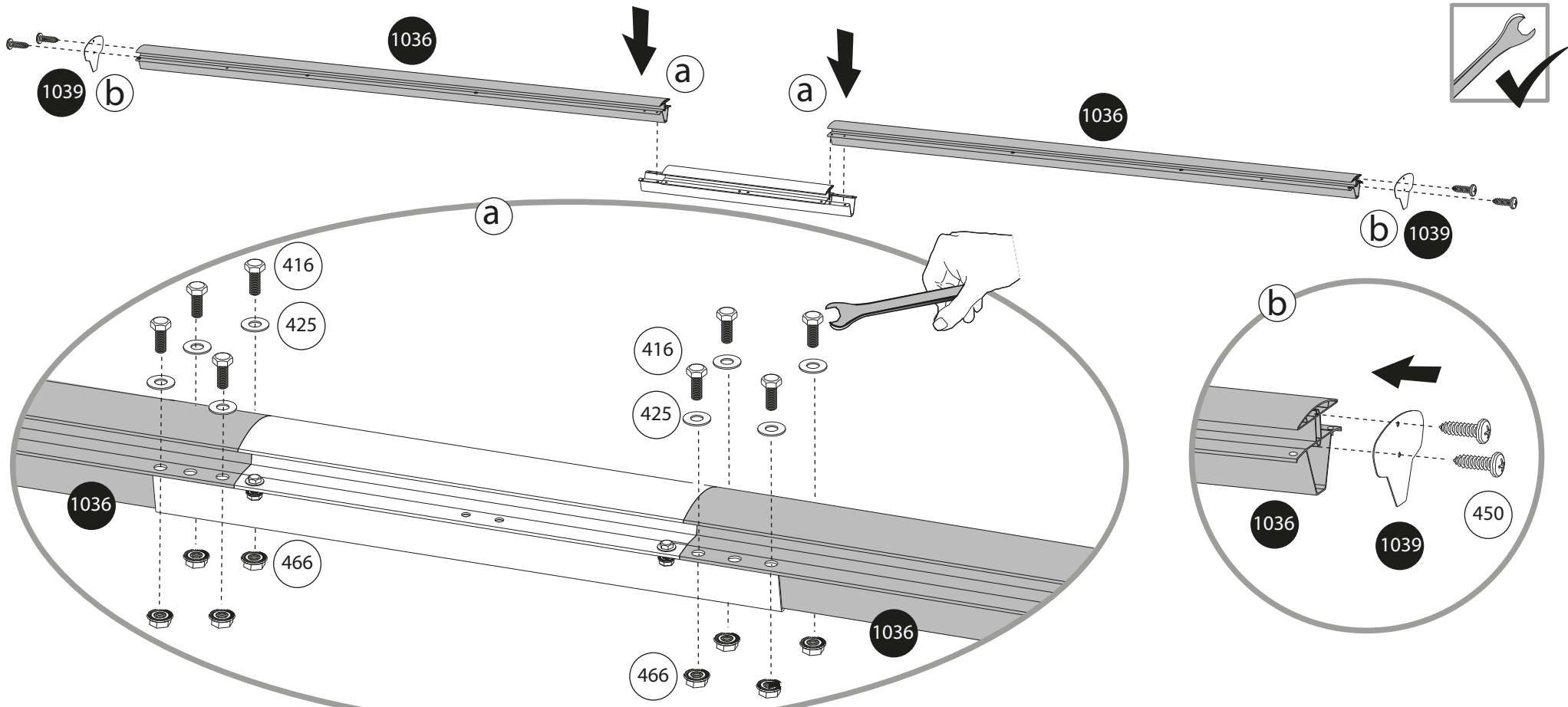
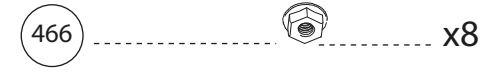
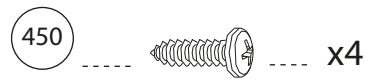
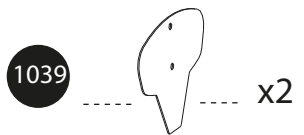
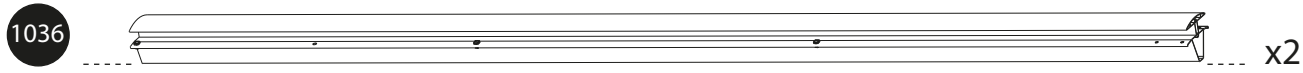
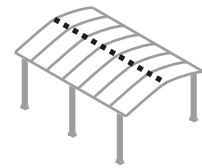
425 ..... x4

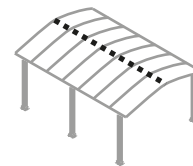


466 ..... x4





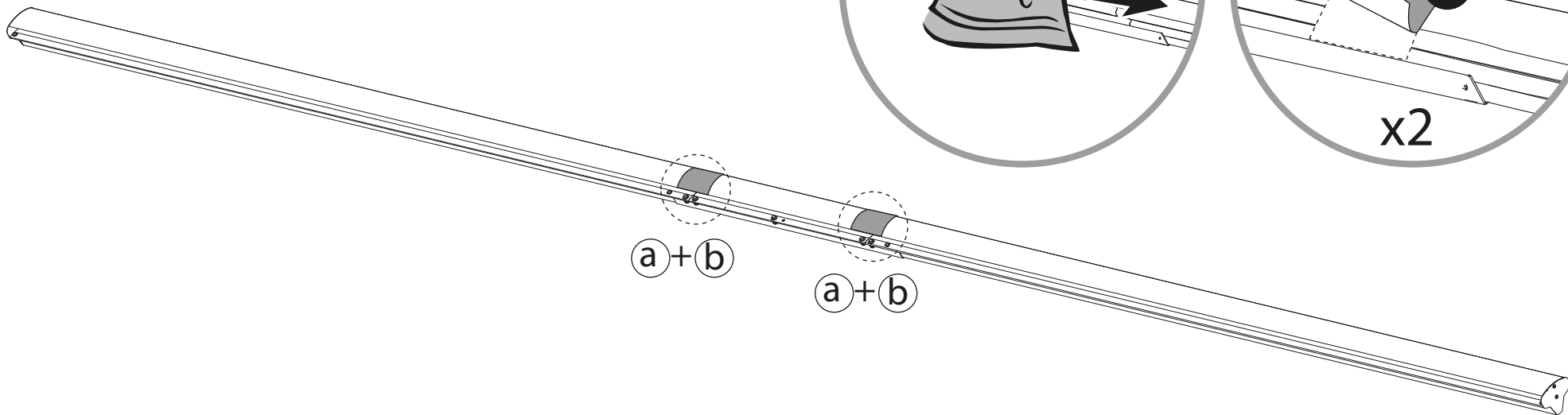
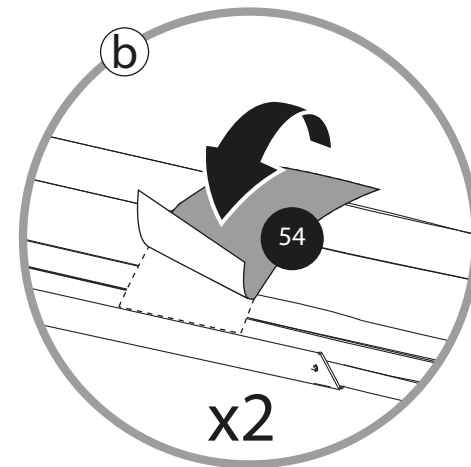
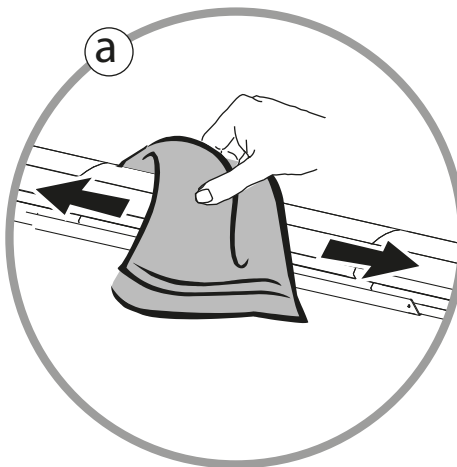


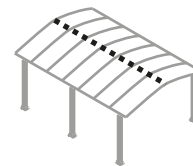


54



x2





416



x6

466



x6

425

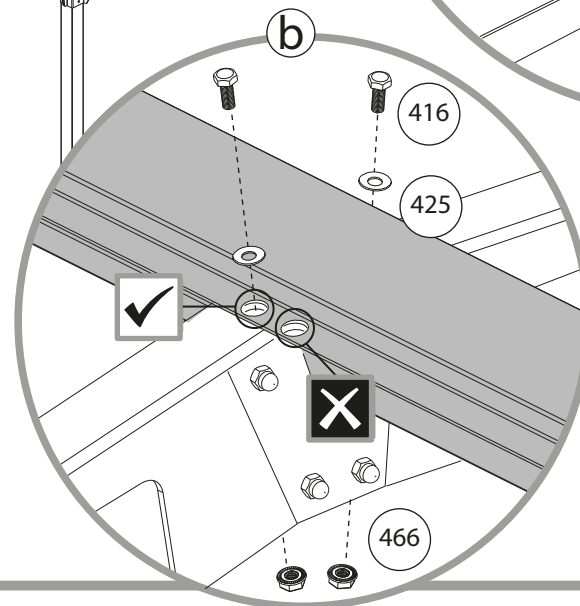
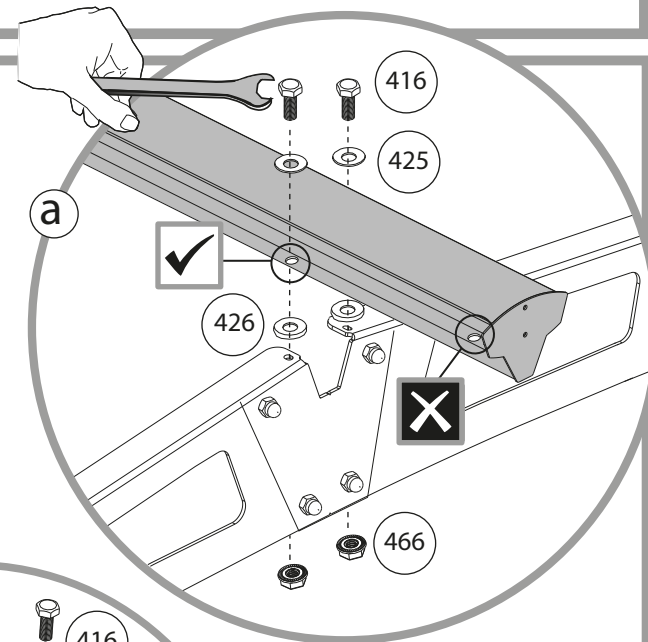
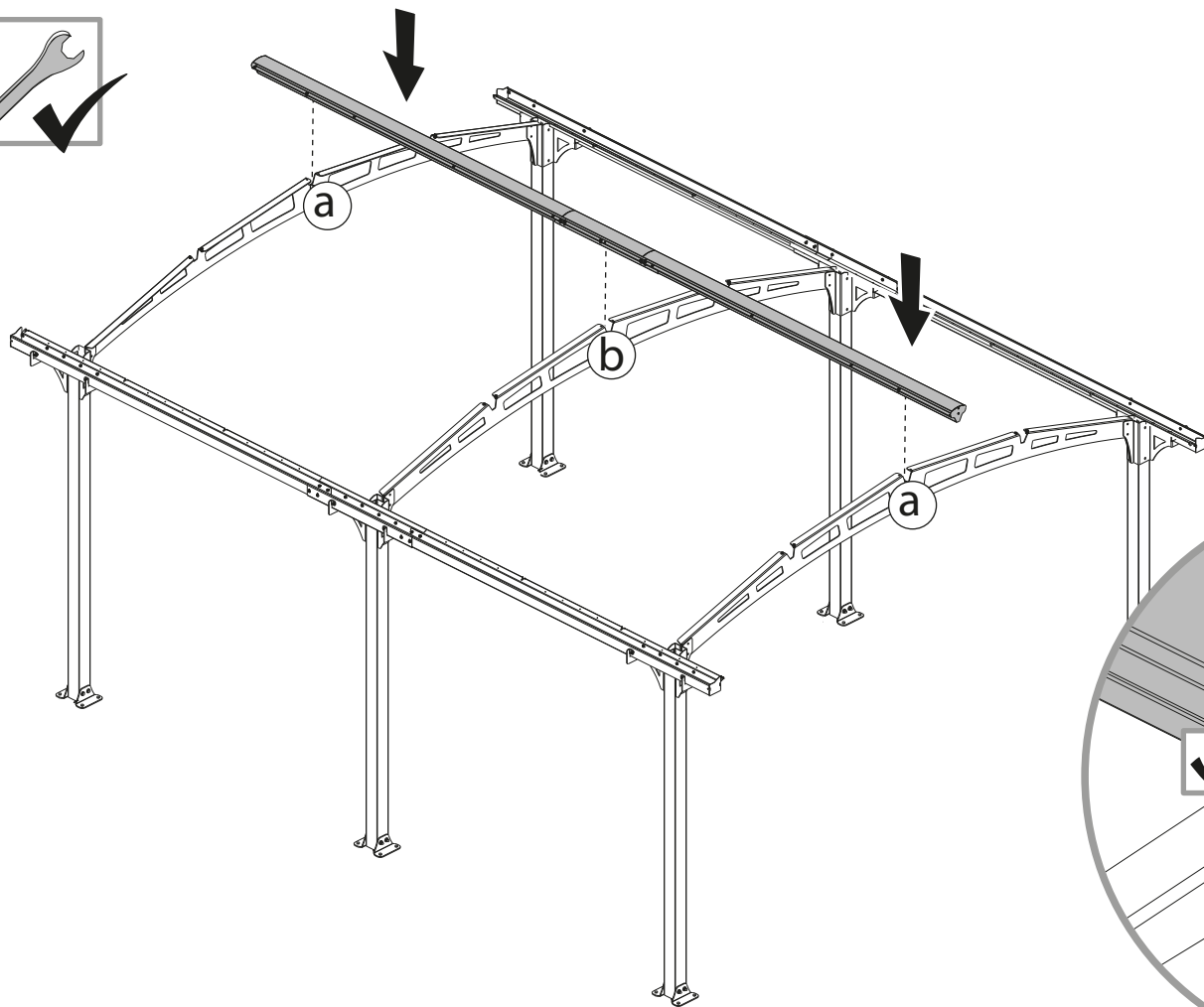


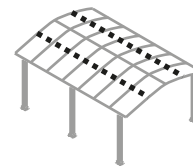
x6

426



x4





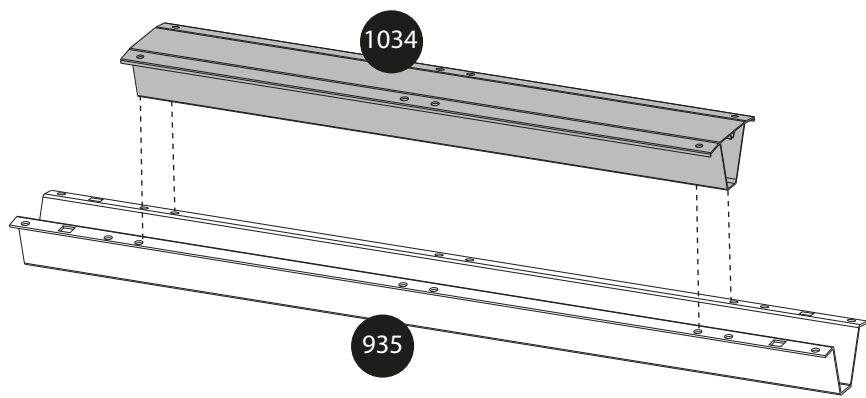
1034 ..... x2

935 ..... x2

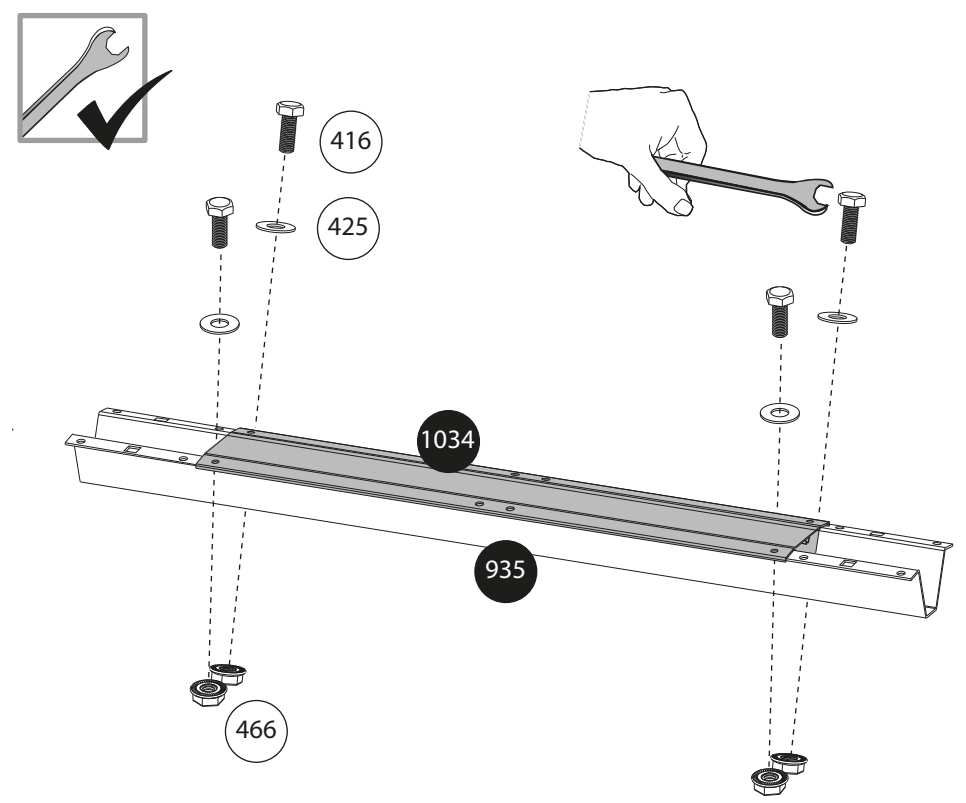
416 ..... x8

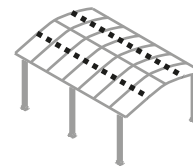
425 ..... x8

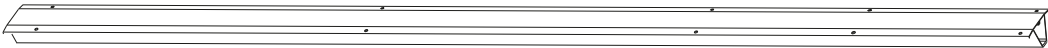

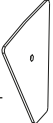



466 ..... x8

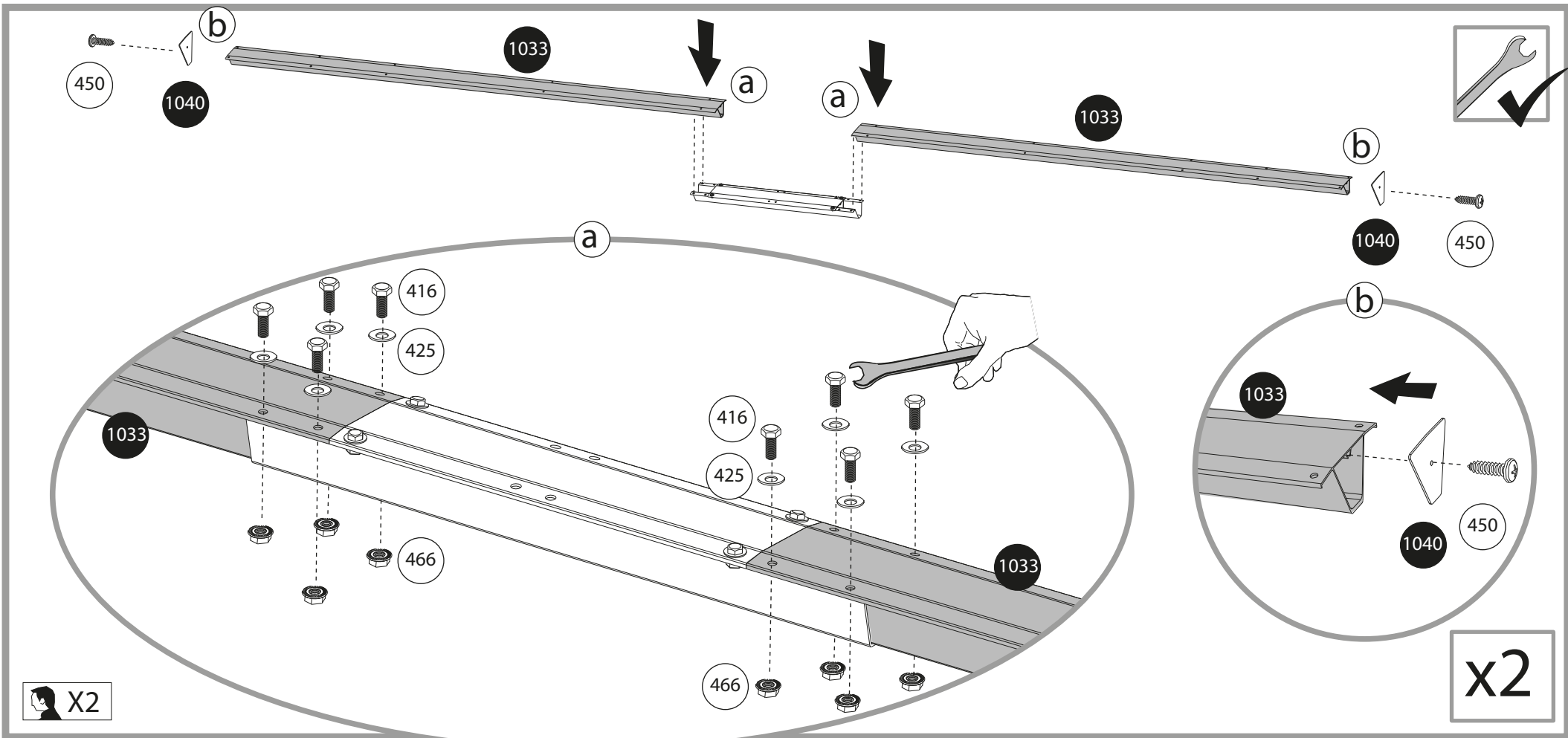


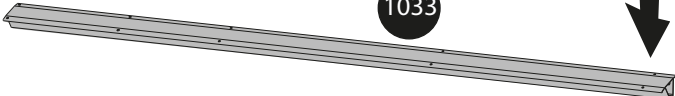
x2








<b>1033</b> 	x4	<b>416</b> 	x16
<b>1040</b> 	x4	<b>425</b> 	x16
<b>450</b> 	x4	<b>466</b> 	x16

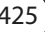



**1033** 


**1040** 

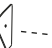
**450** 


**416** 

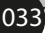
**425** 


**466** 

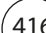
**1033** 

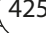
**1040** 


**450** 

**1033** 

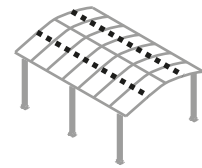
**1033** 

**416** 

**425** 

**466** 

**x2**

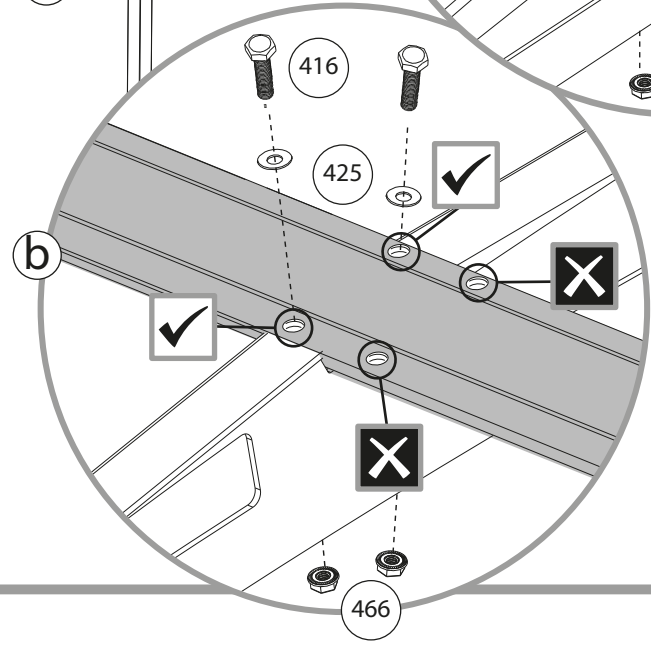
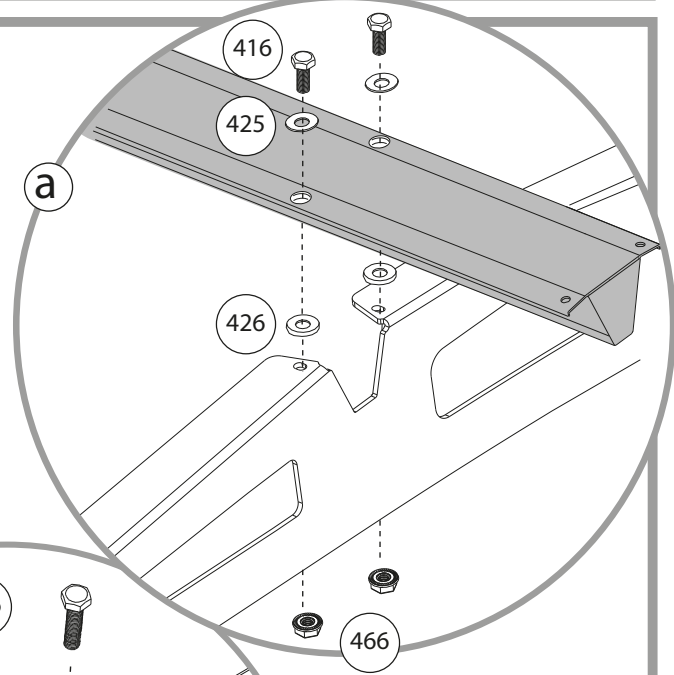
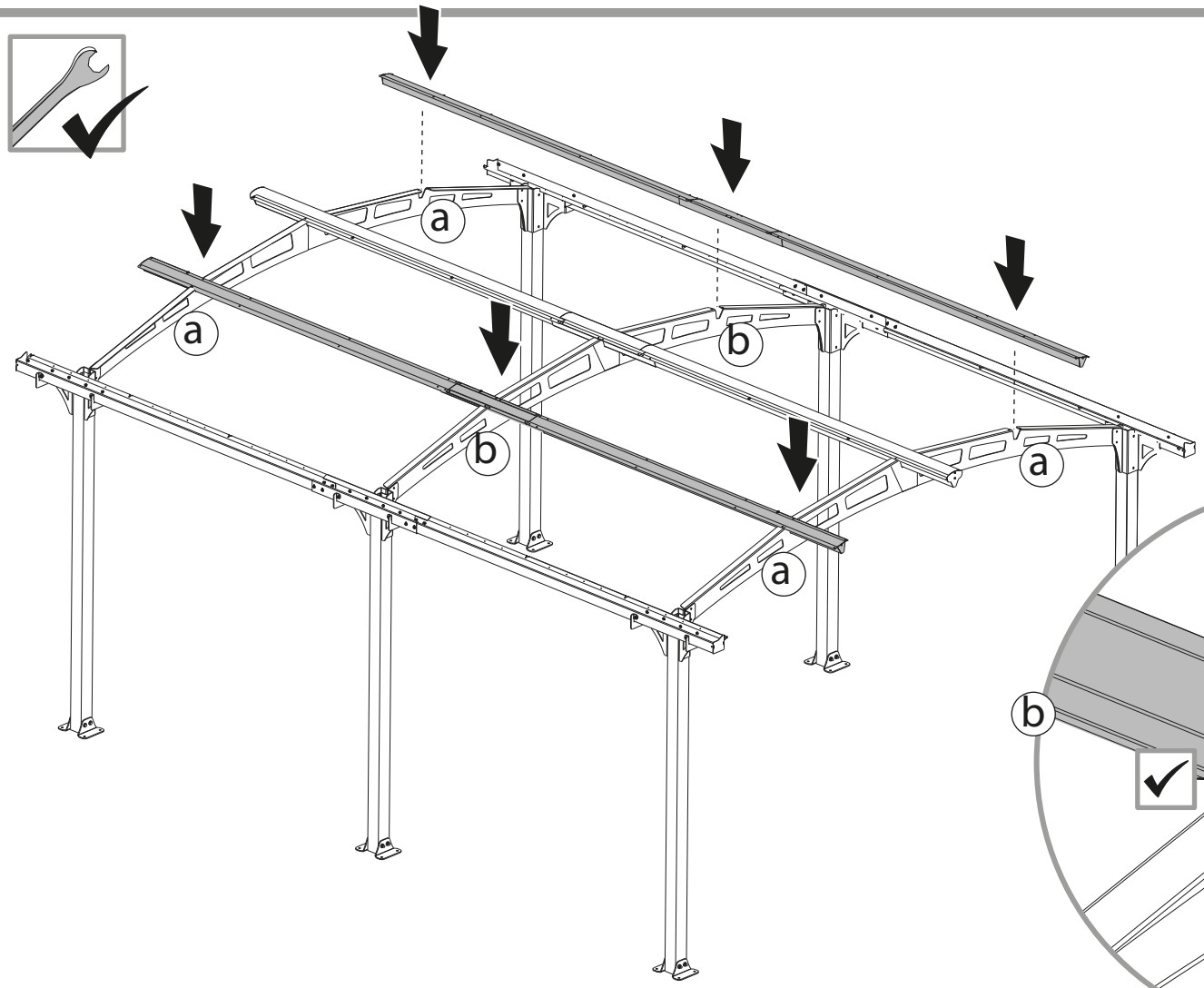


416 ..... x12

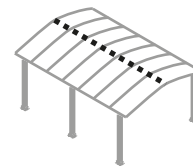
466 ..... x12

425 ..... x12

426 ..... x8

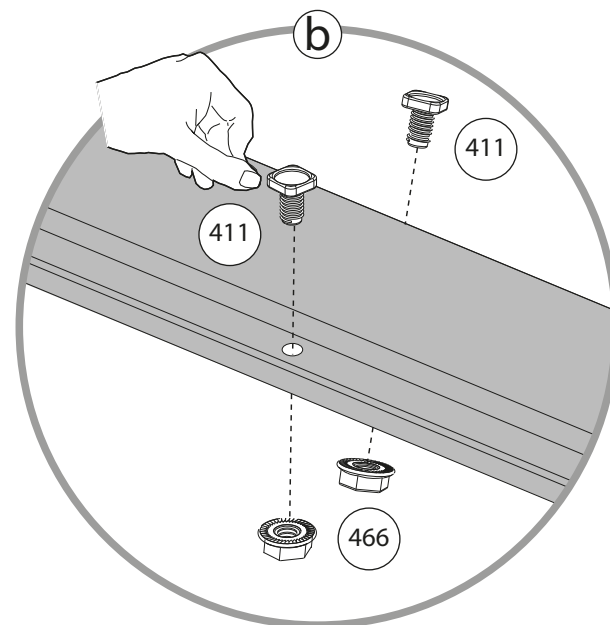
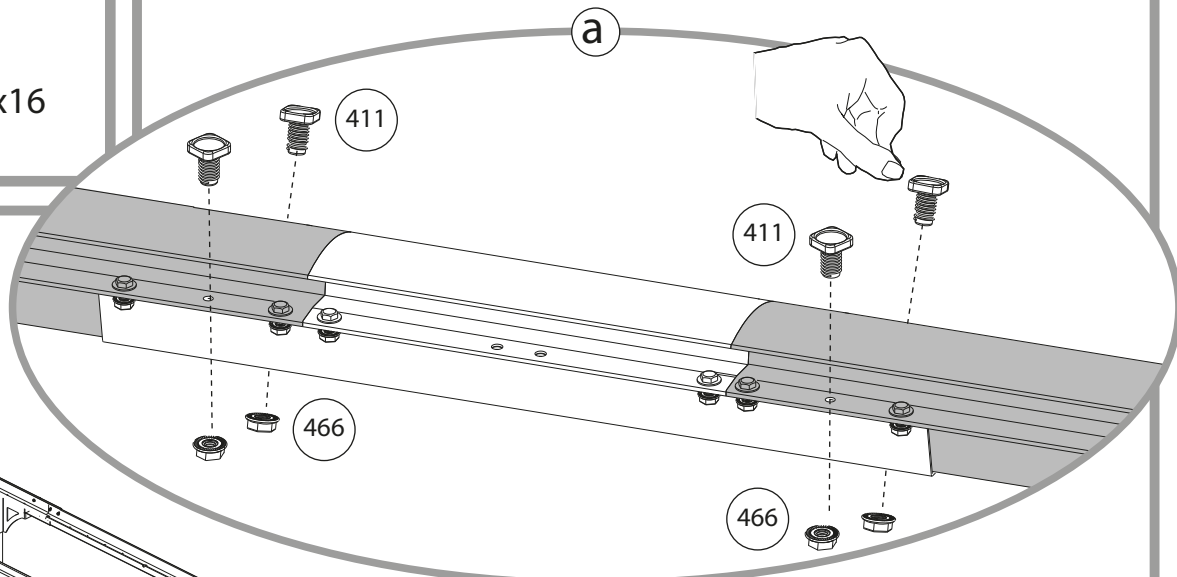
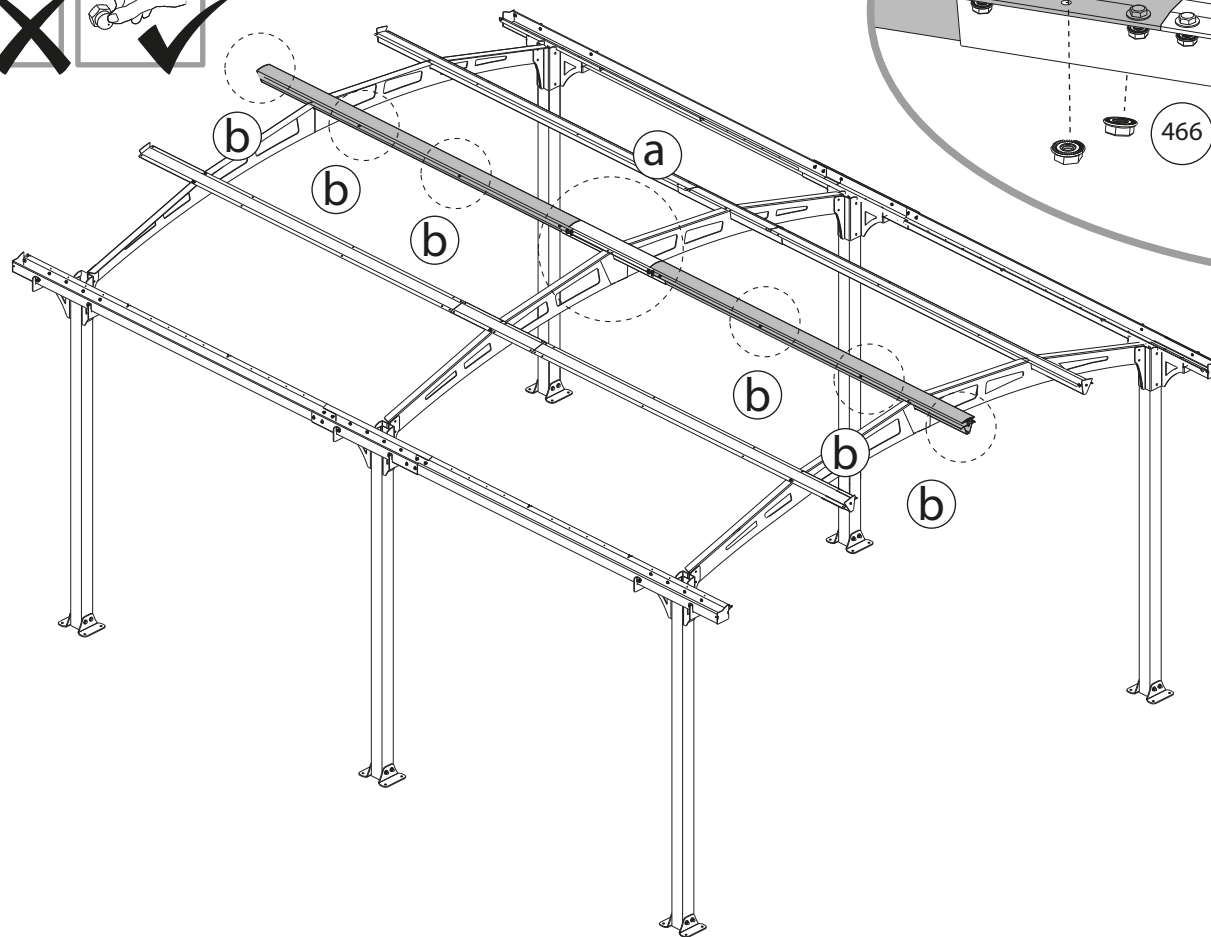
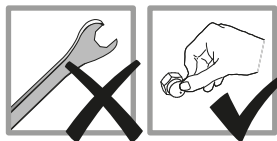


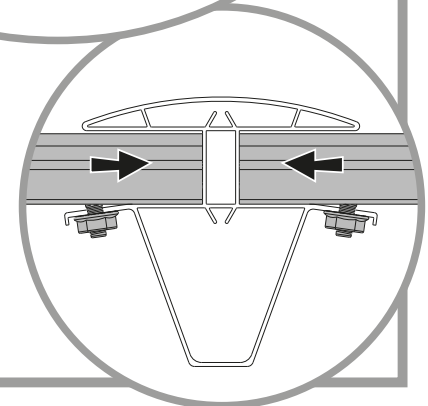
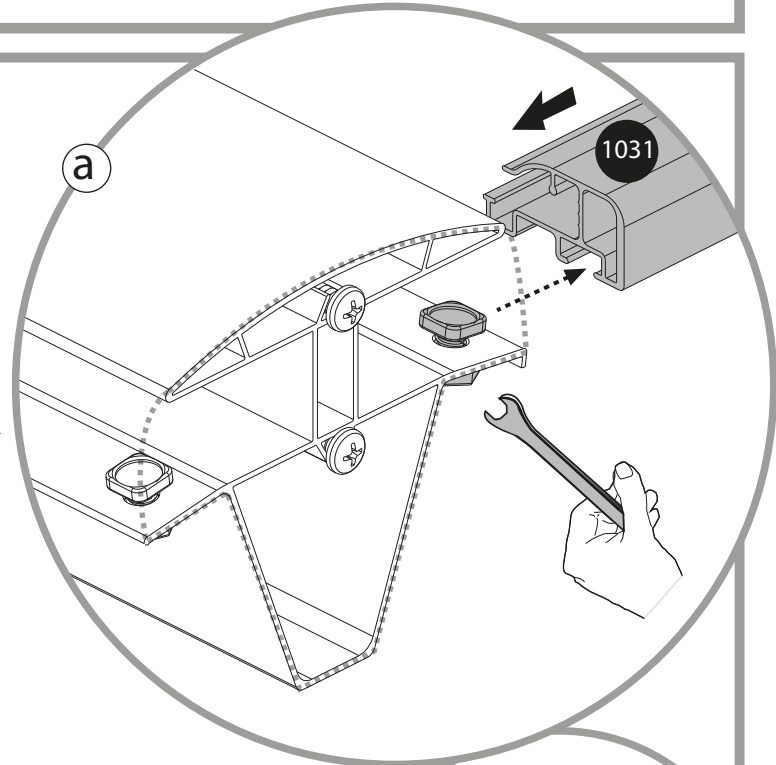
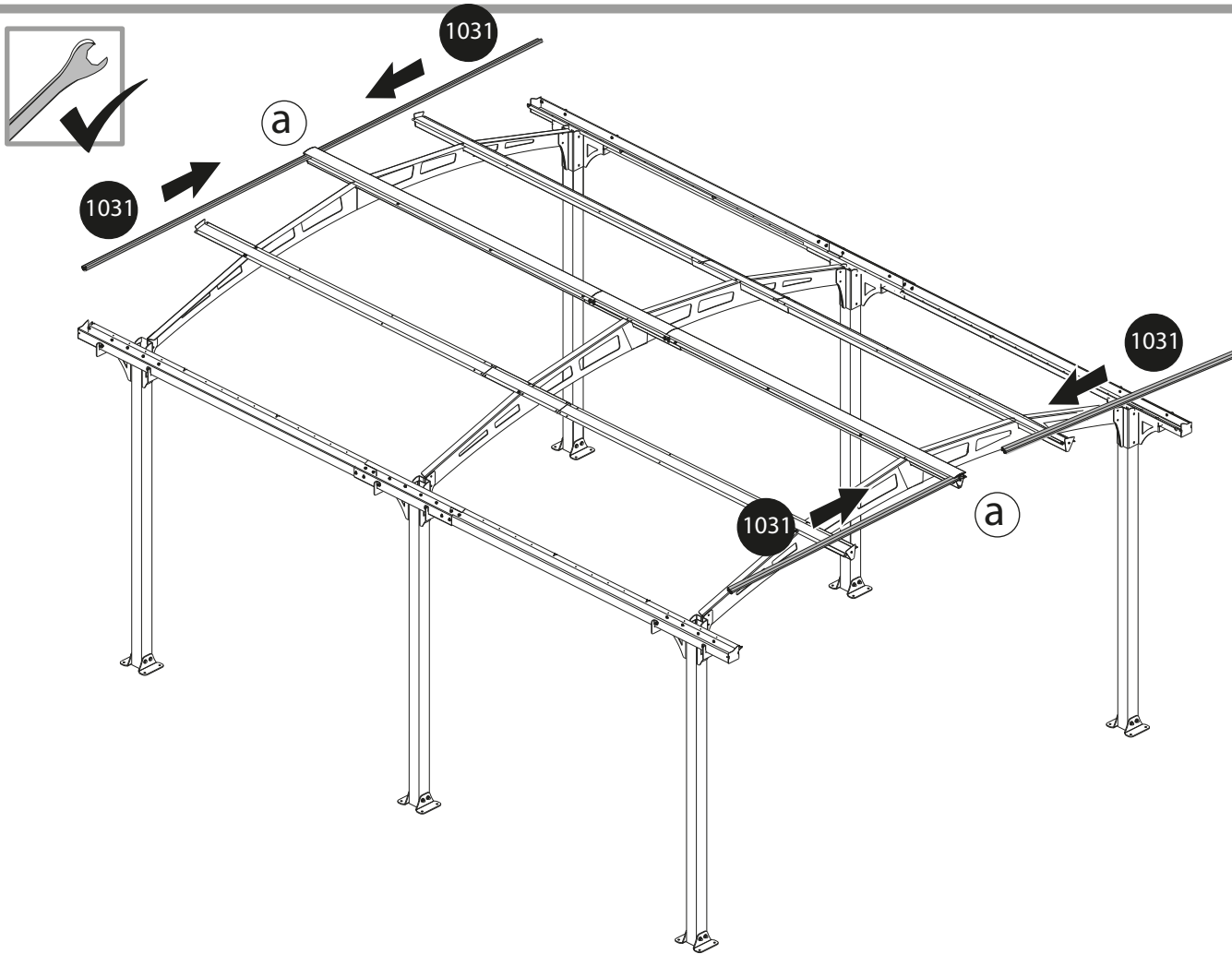
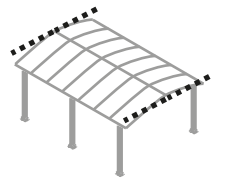


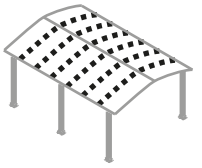


411 ..... x16

466 ..... x16



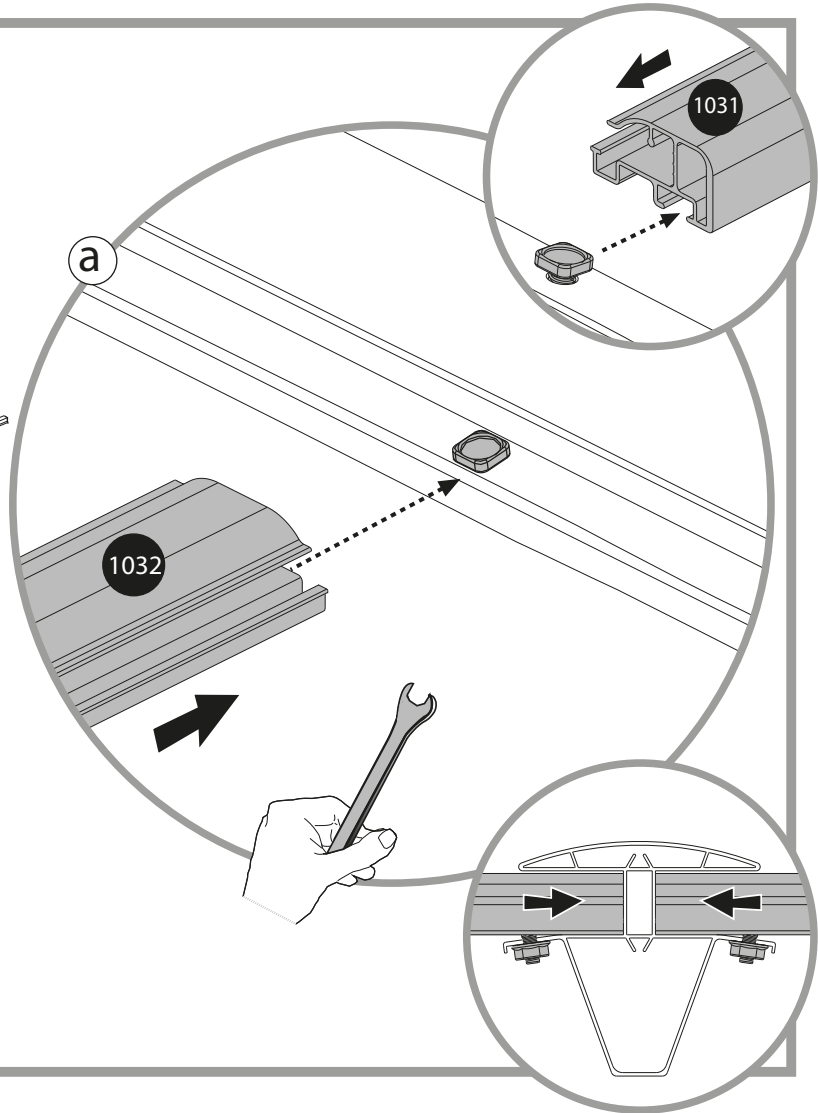
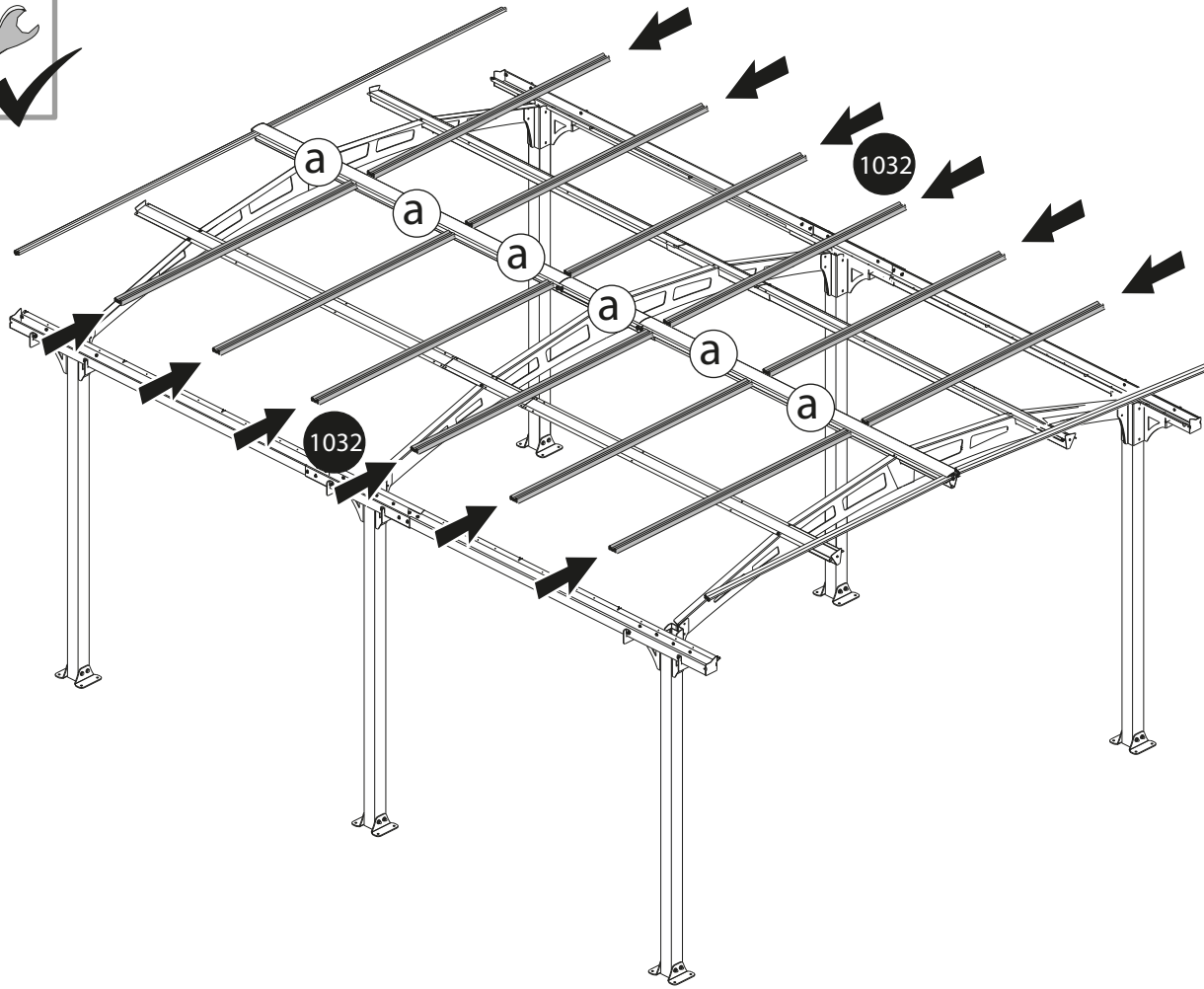


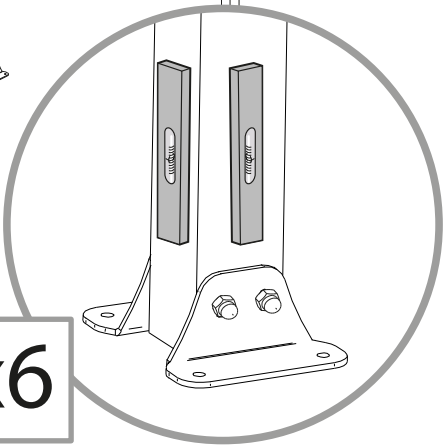
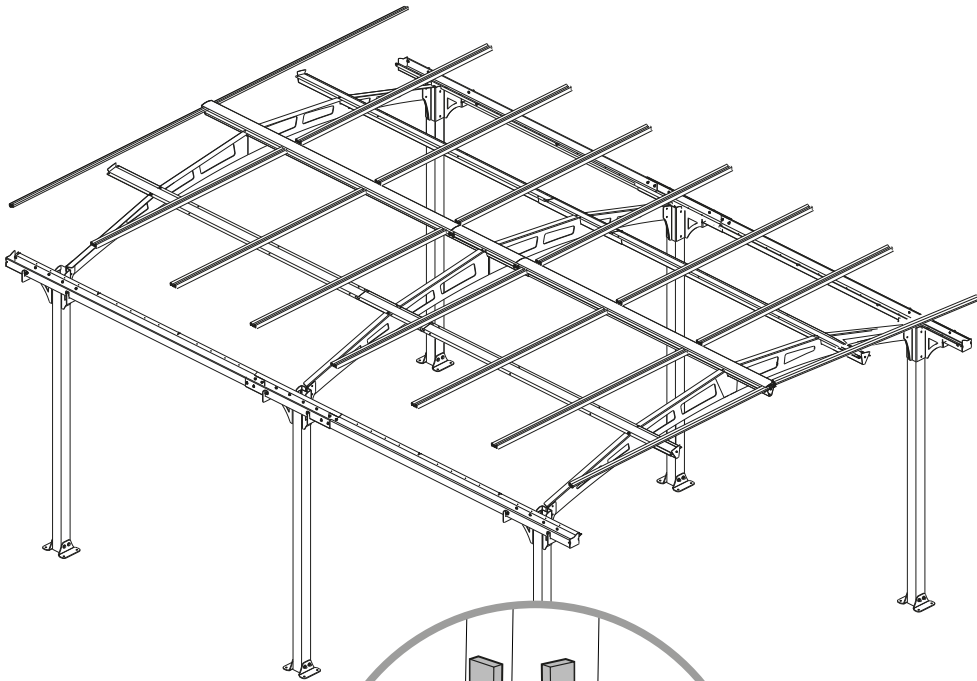
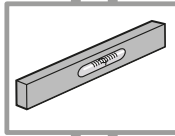
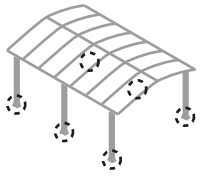


1032

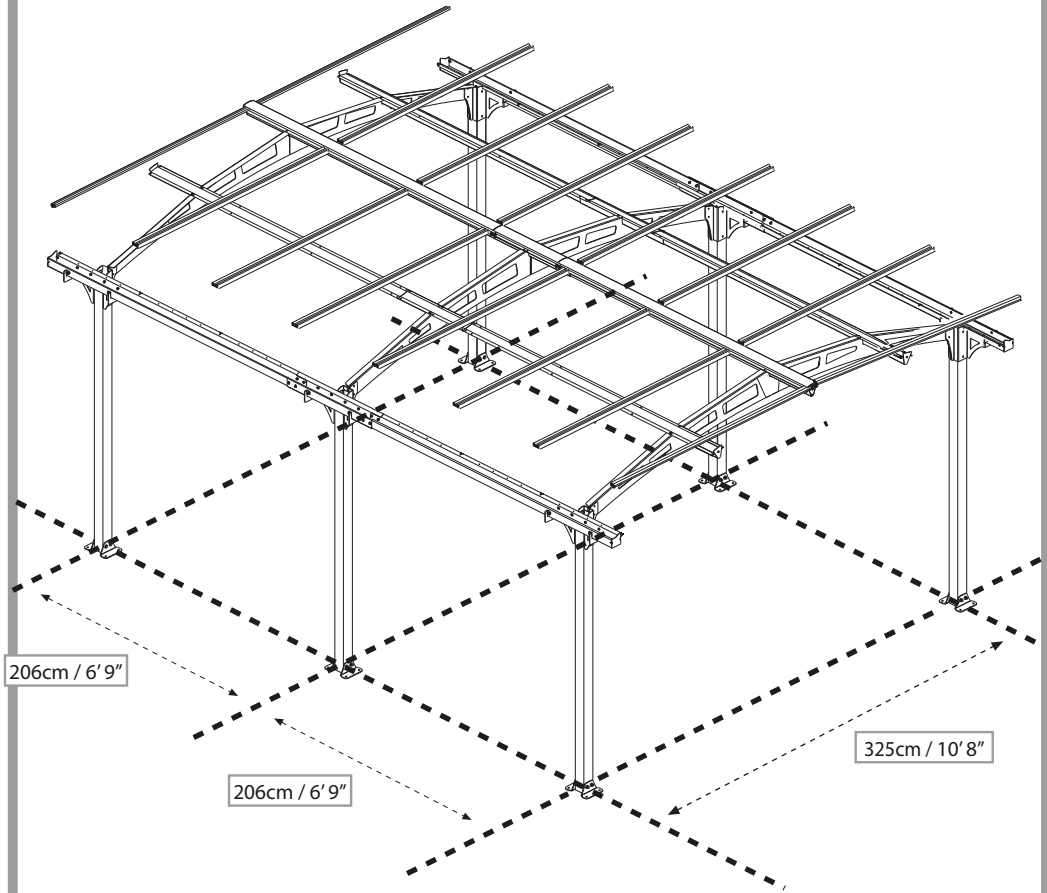


.... x12





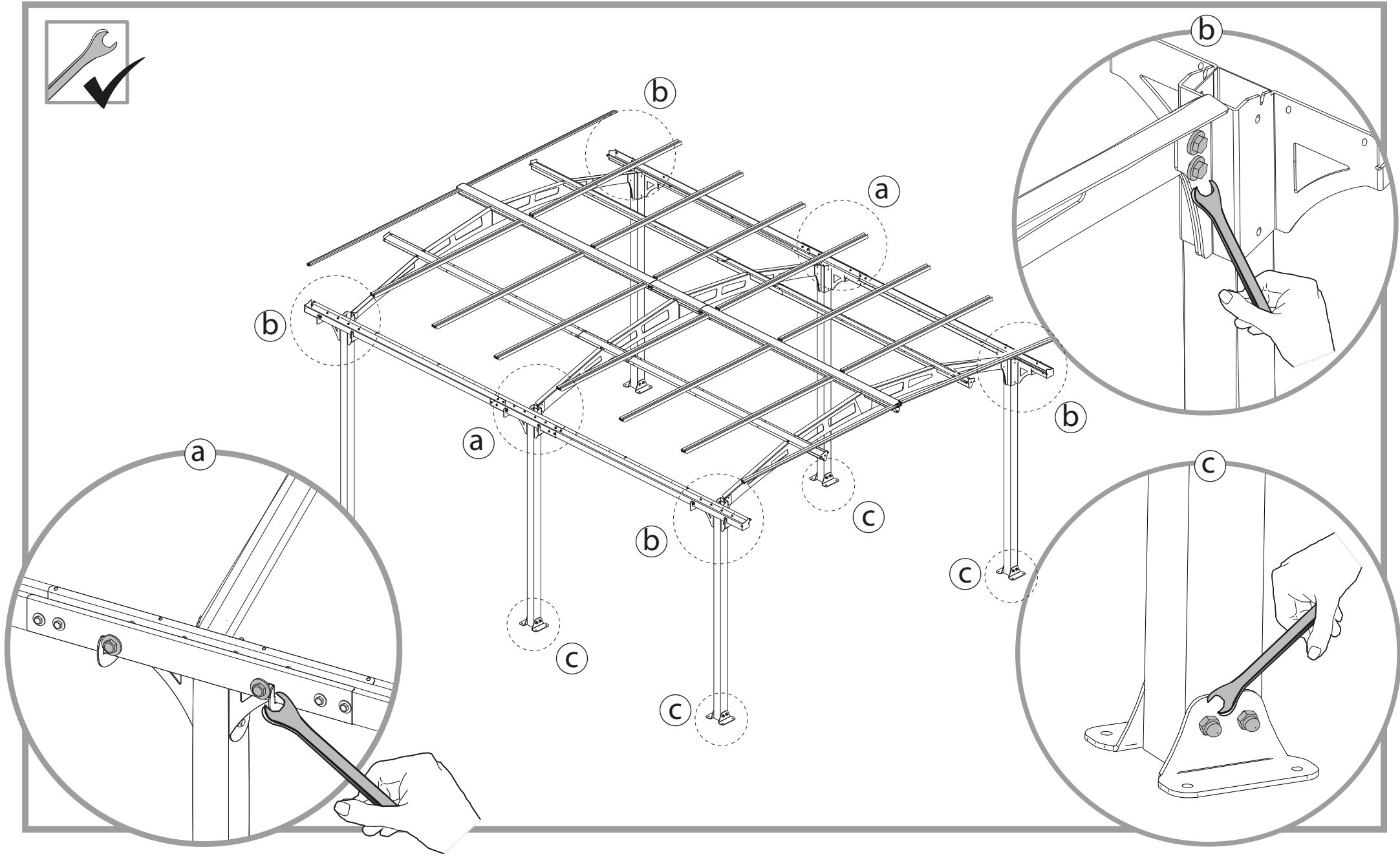
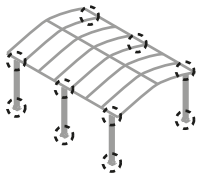
x6

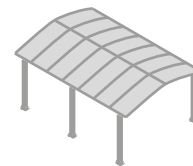


206cm / 6'9"

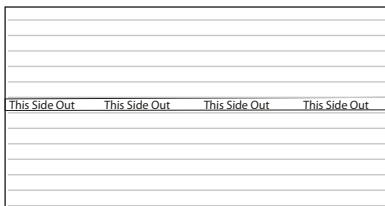
206cm / 6'9"

325cm / 10'8"

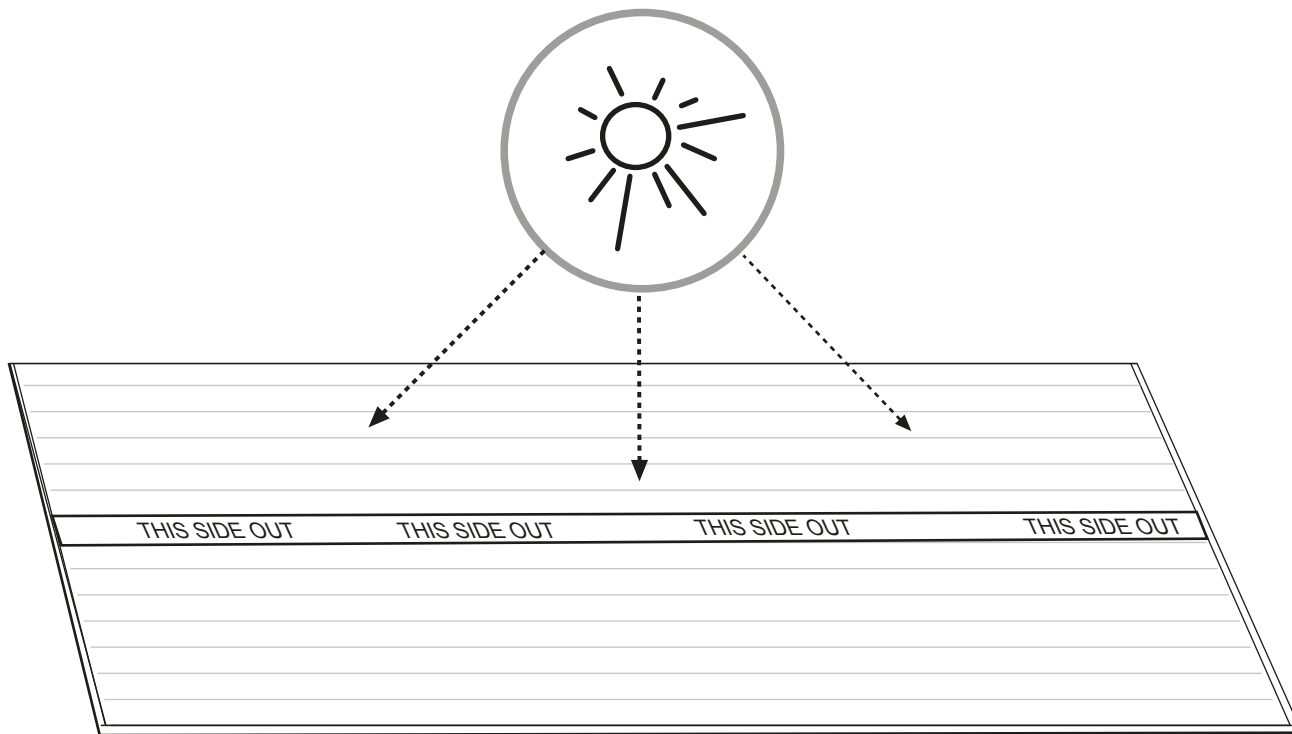




211



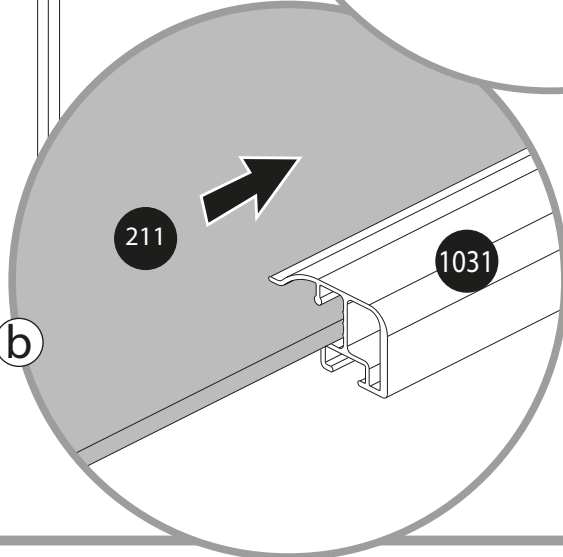
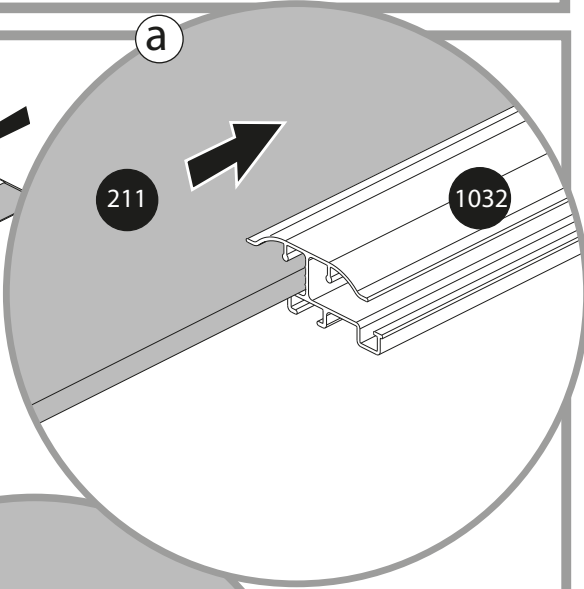
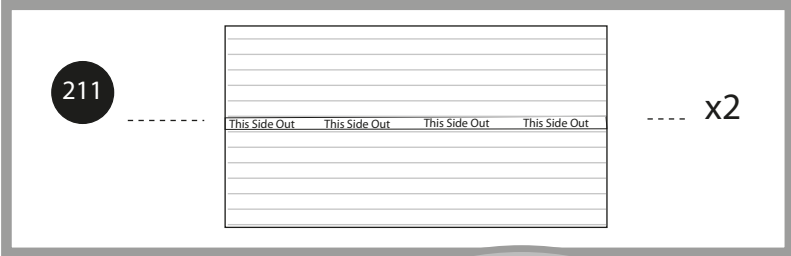
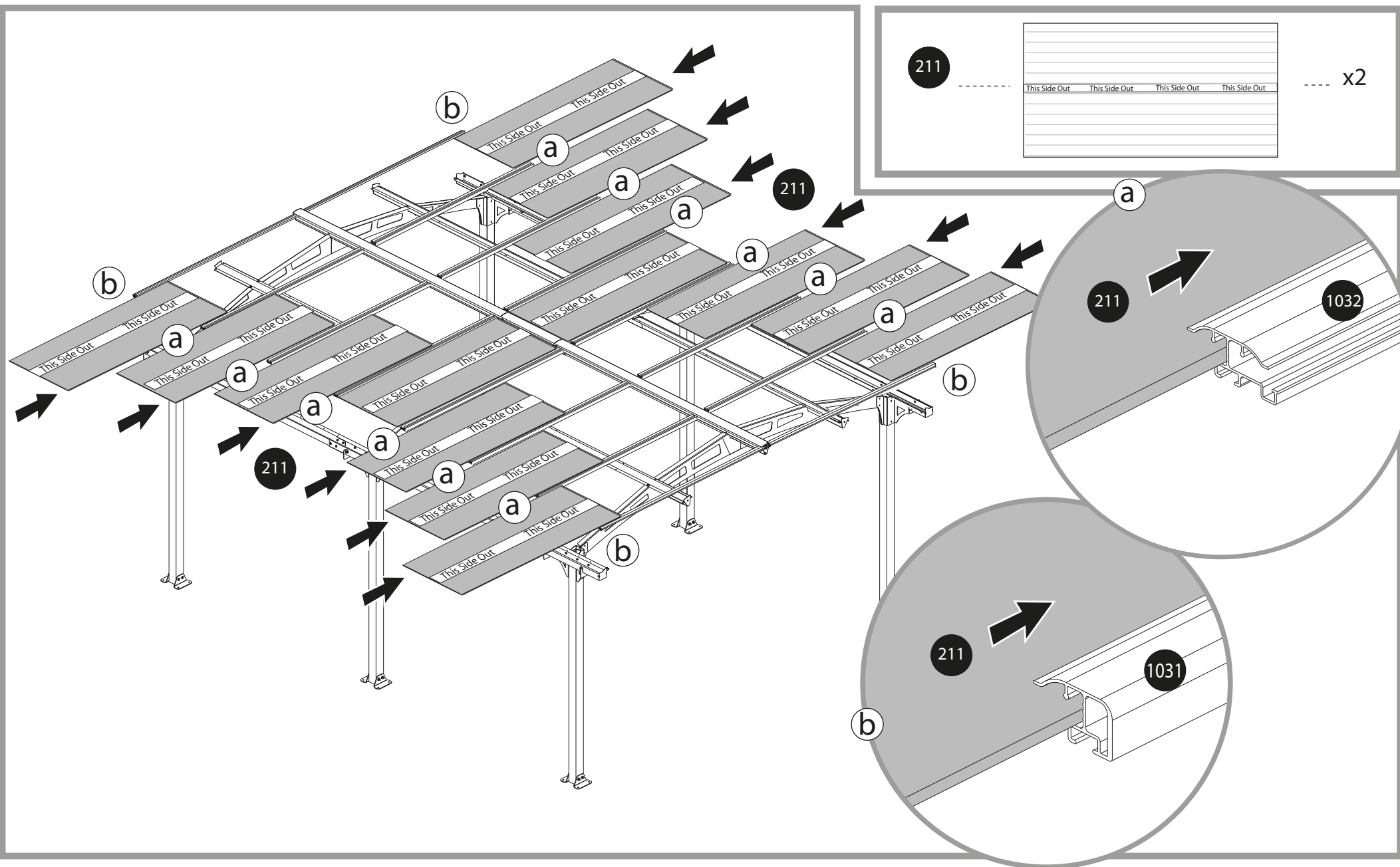
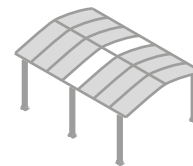
.... x14

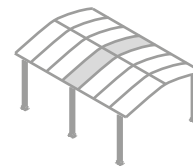


x14





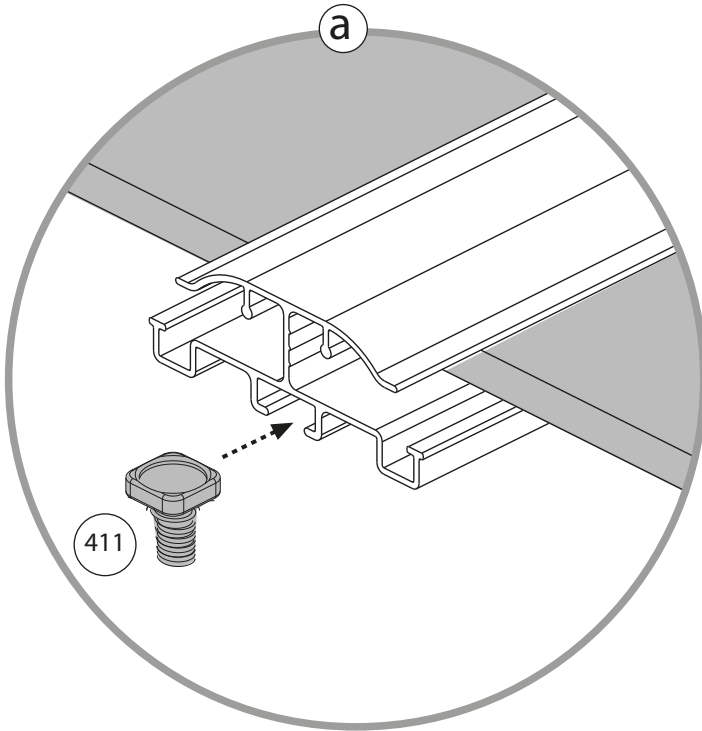
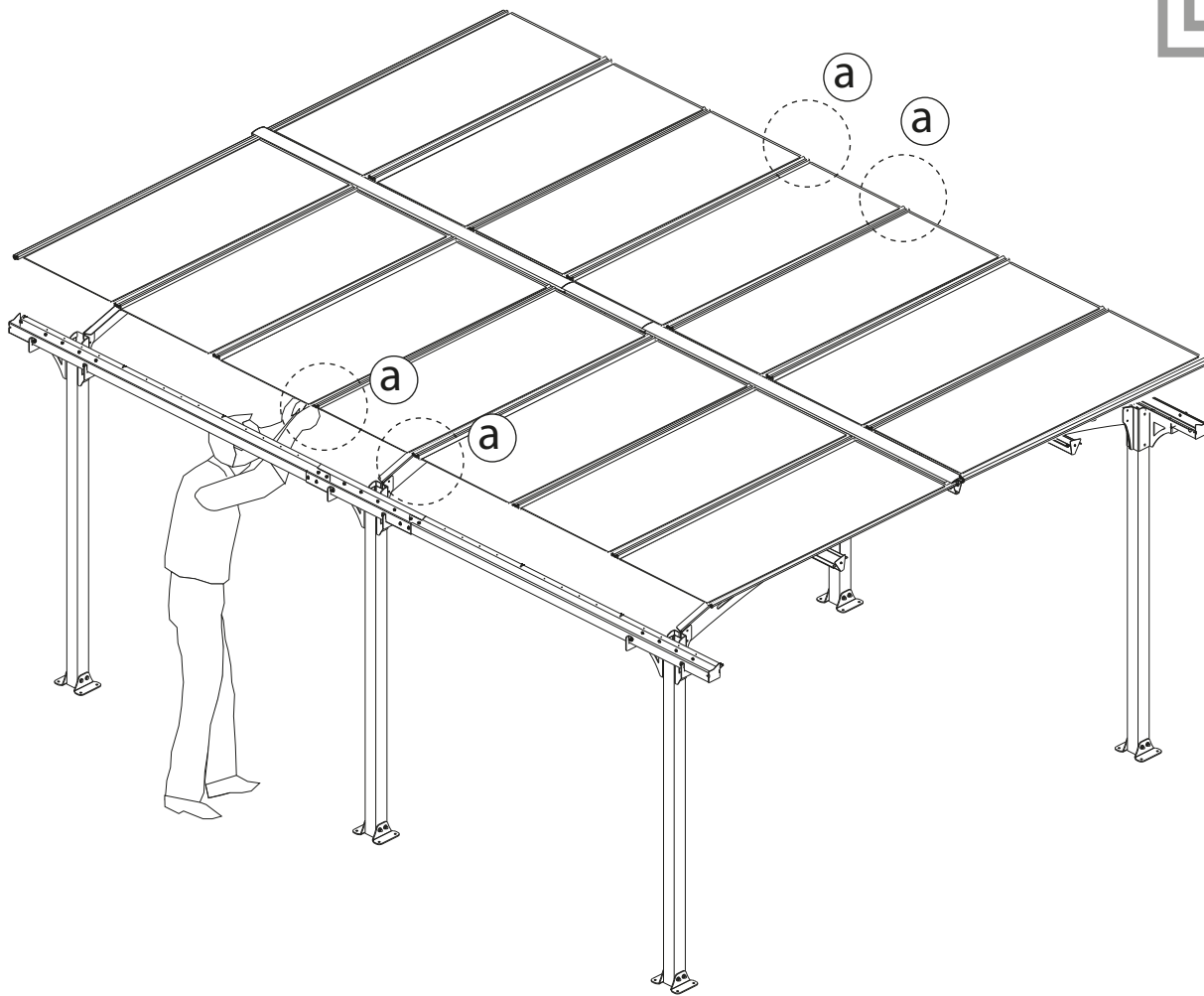


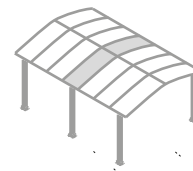


411



x4

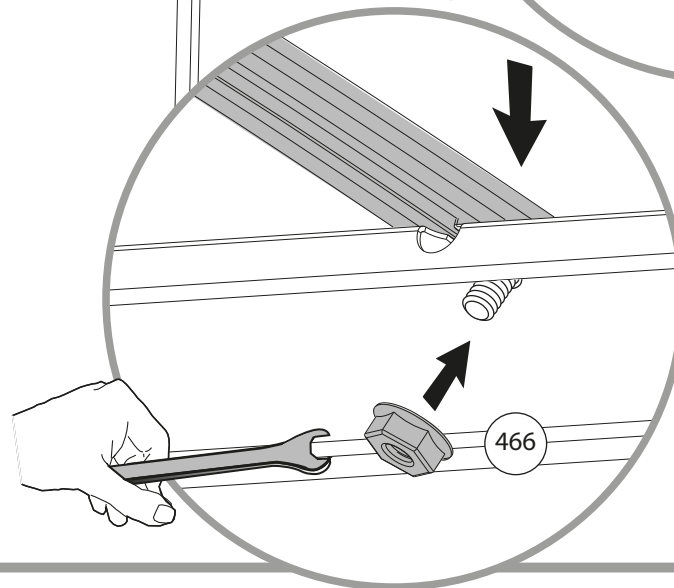
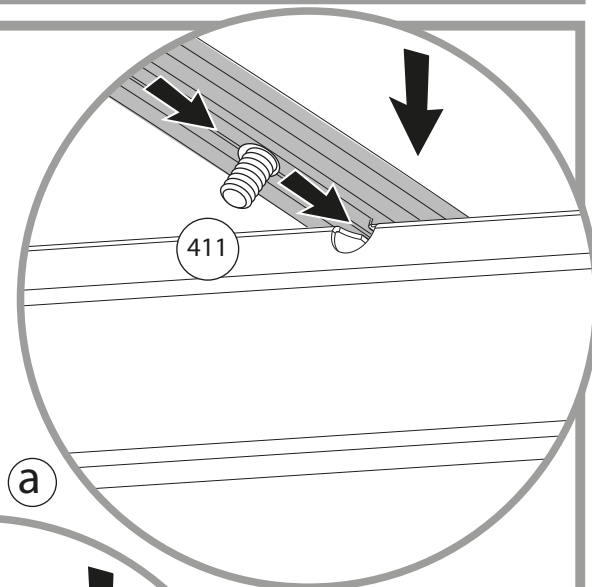
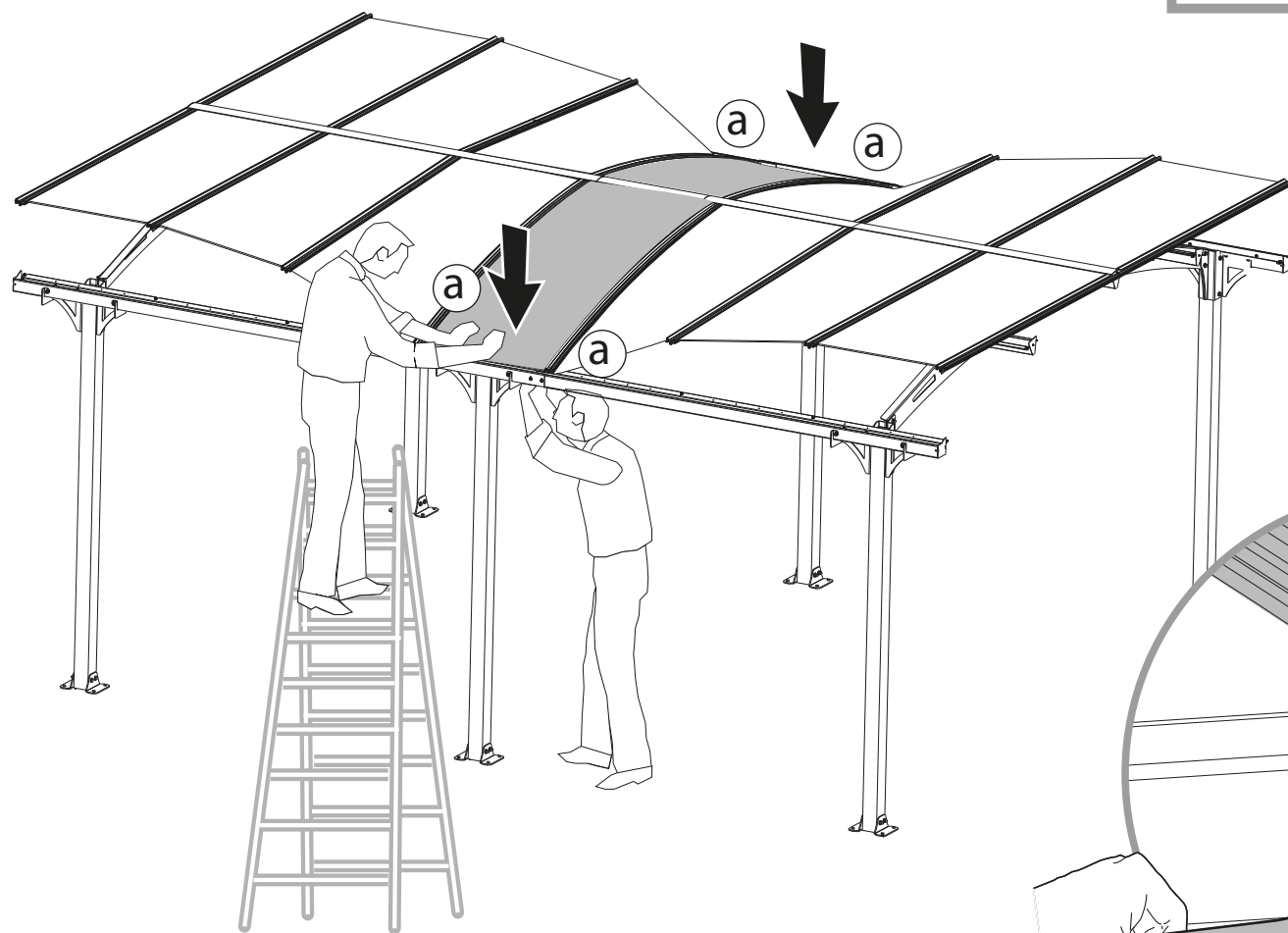


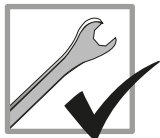
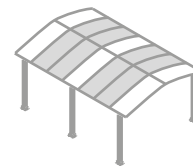



466



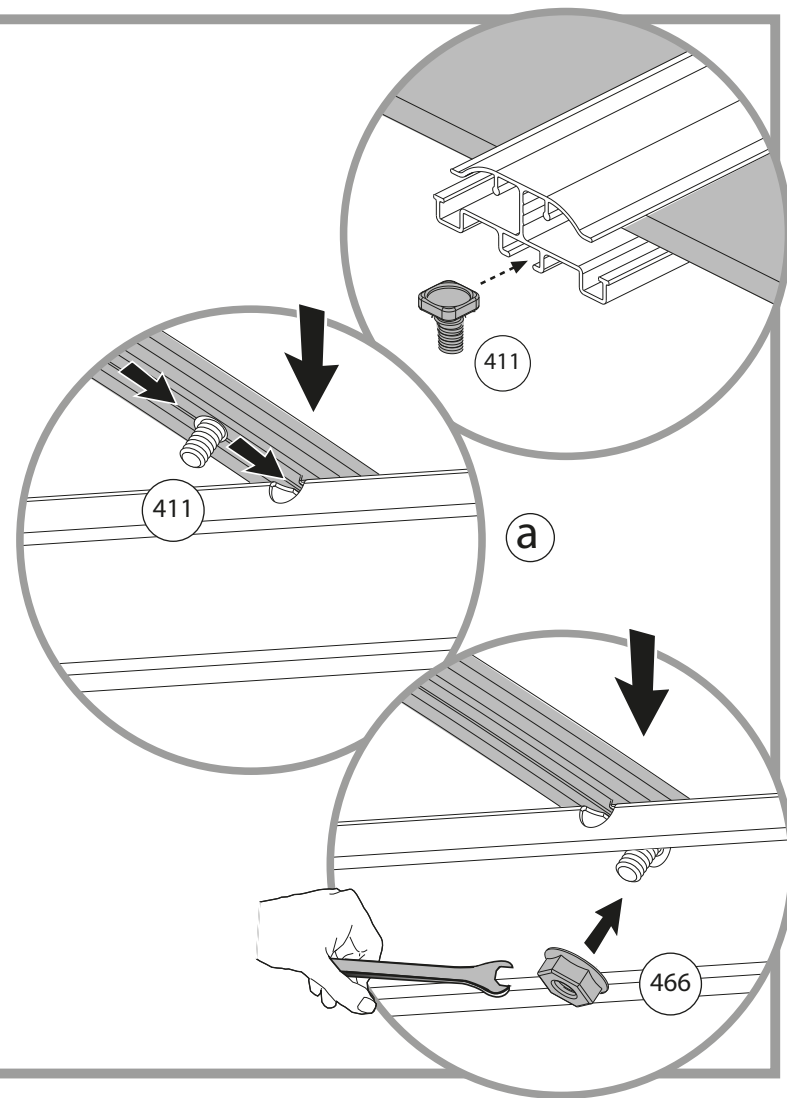
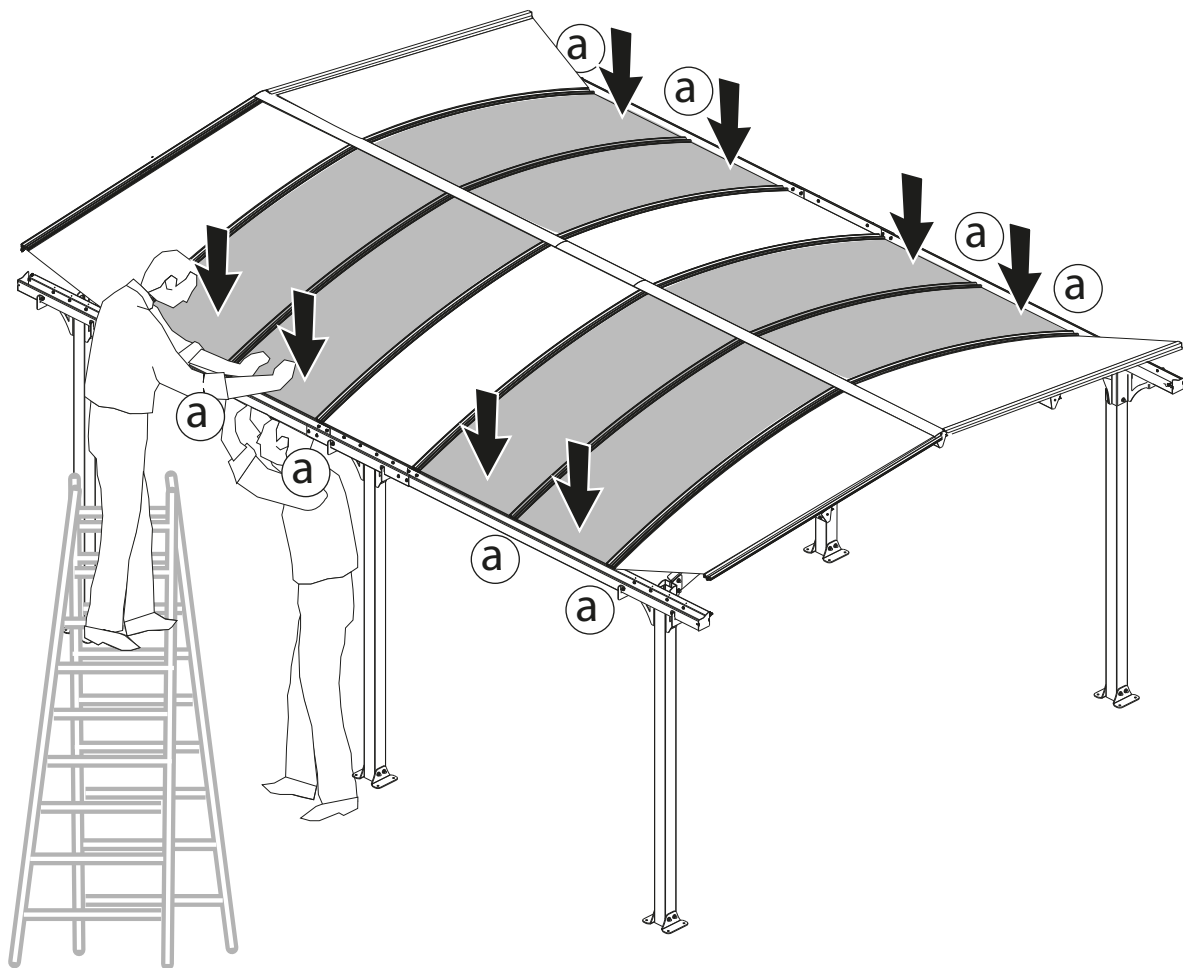
x4

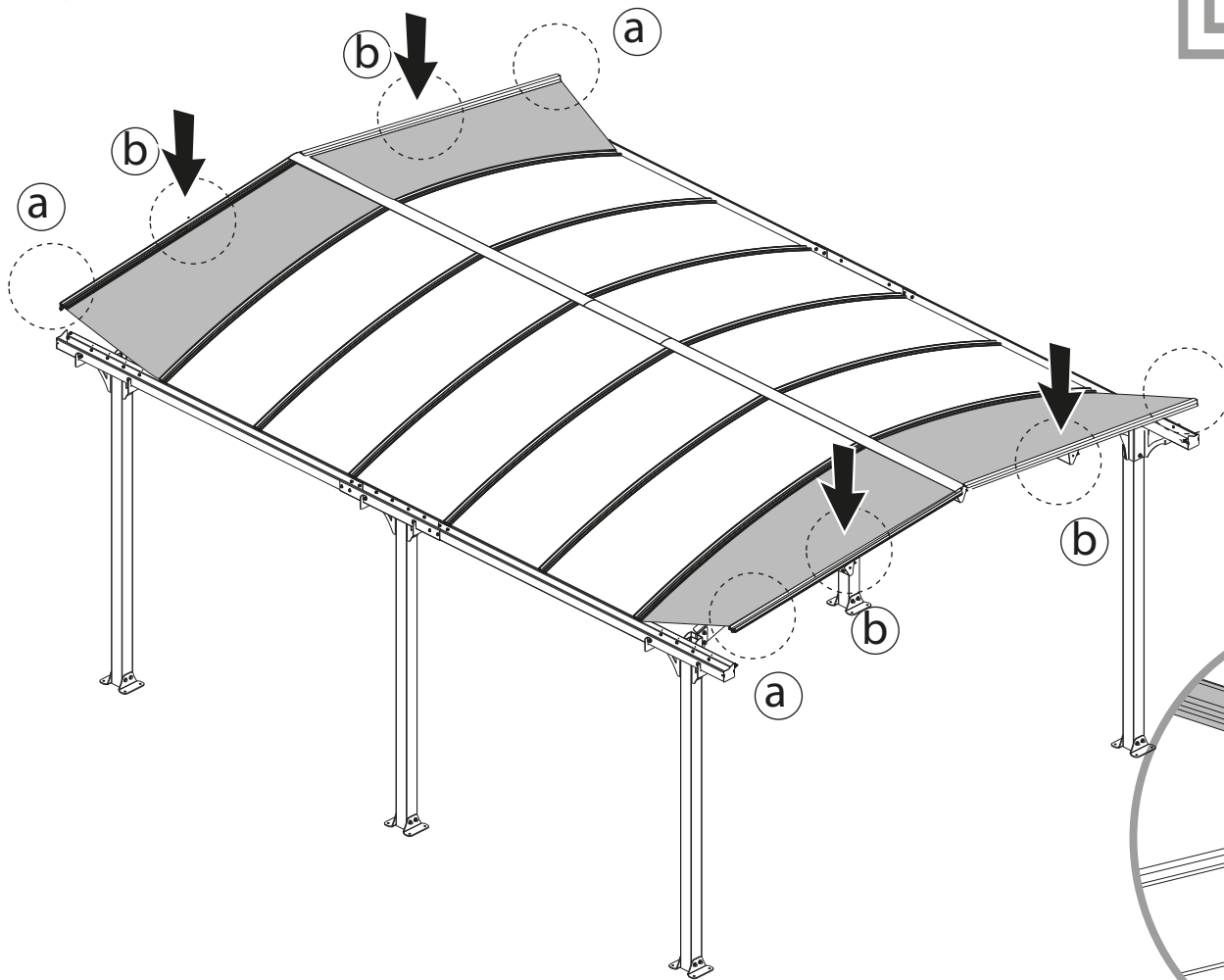
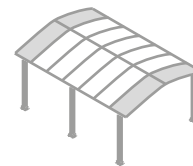




466 .....  x8

411 .....  x8





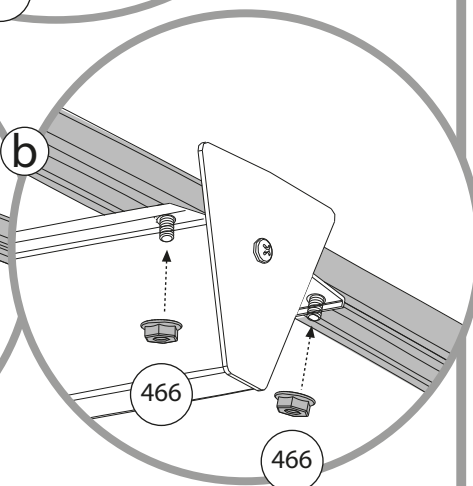
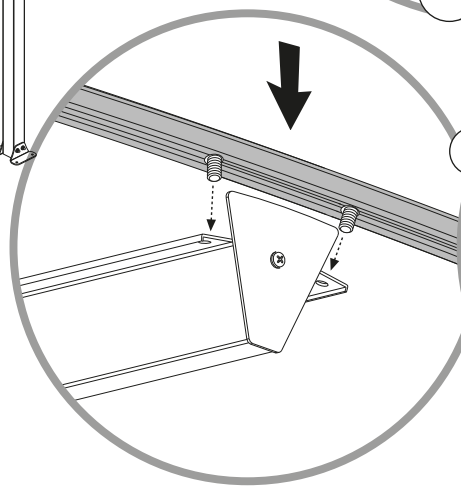
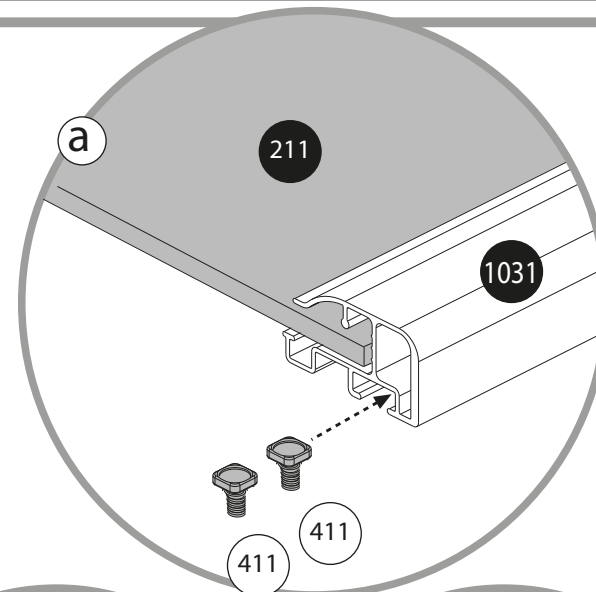
411

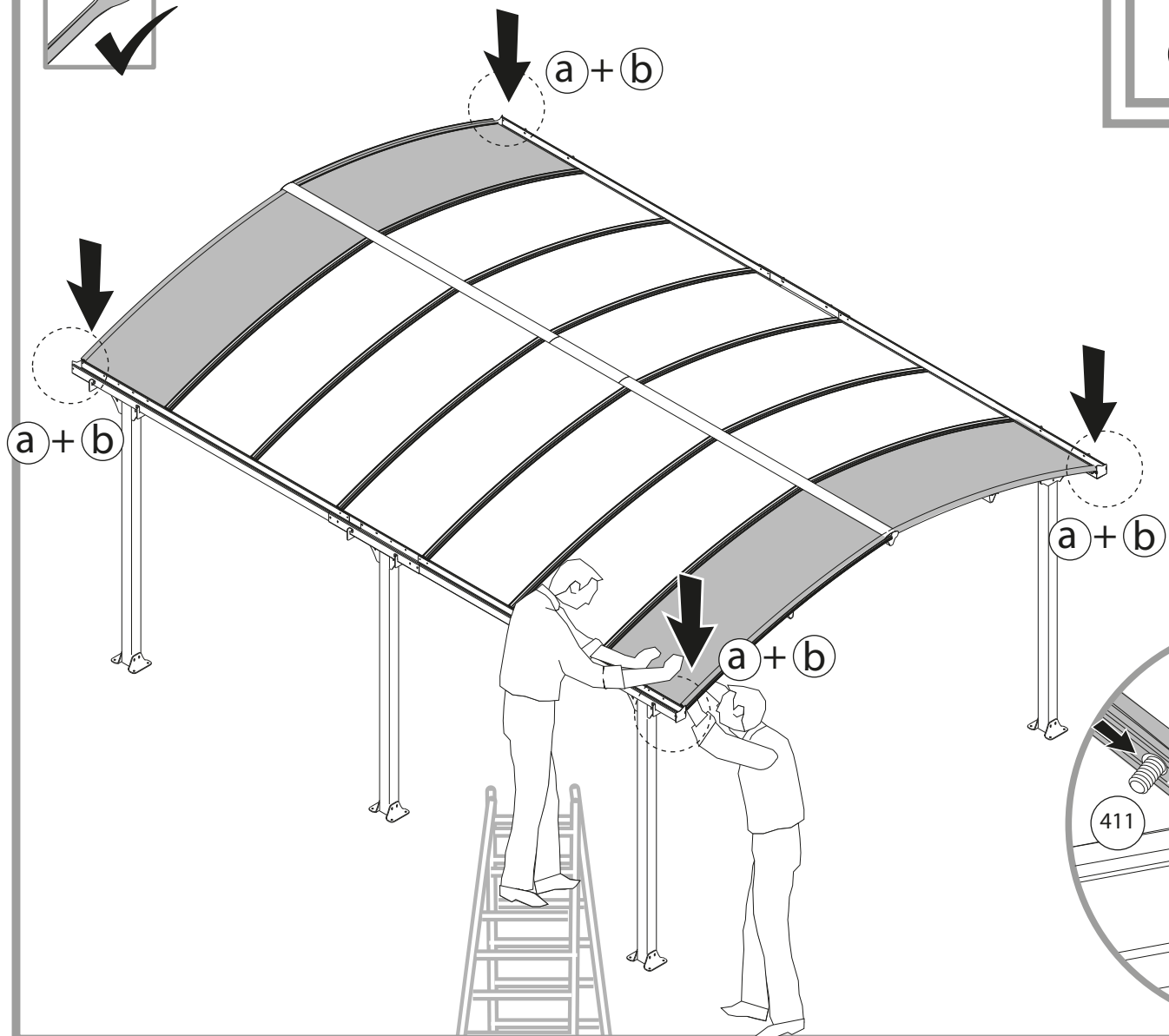
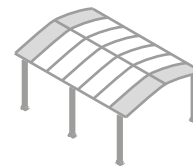
466



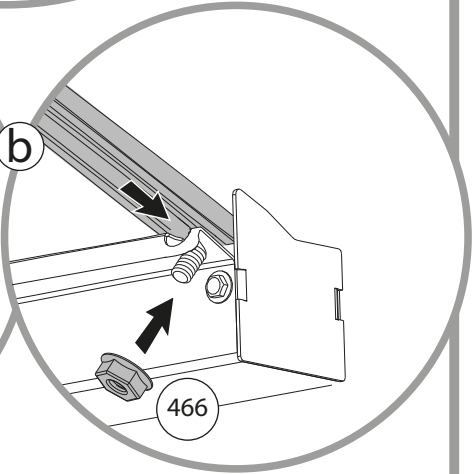
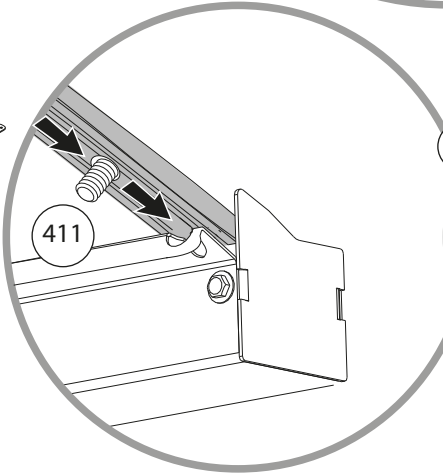
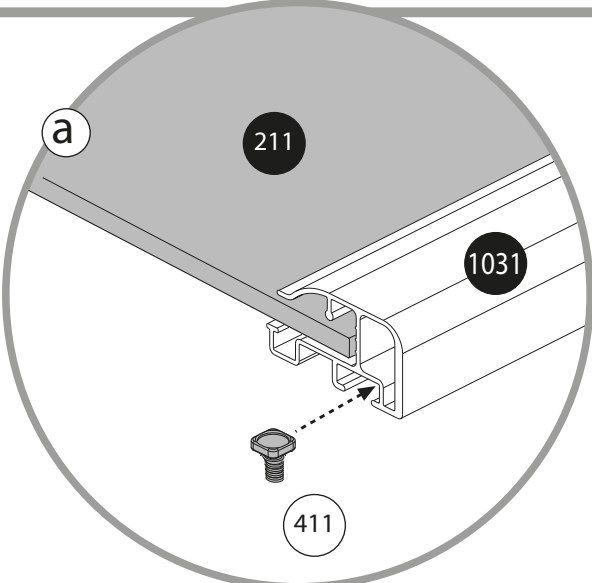
x8

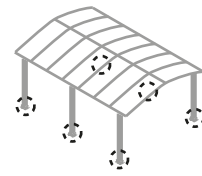
x8







- 411 ..... x4
- 466 ..... x4



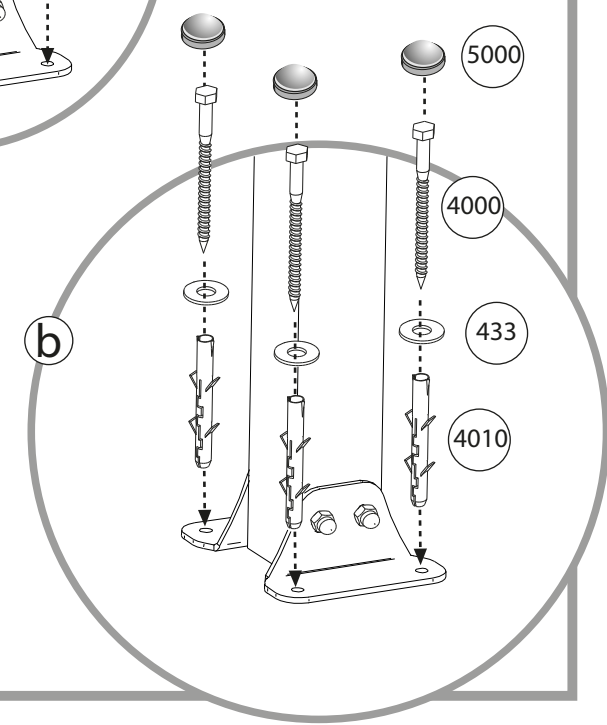
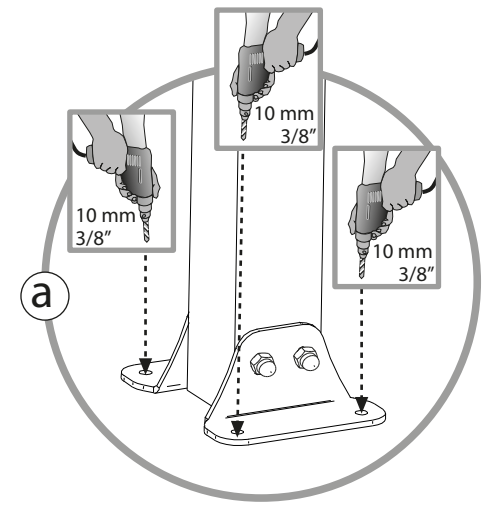
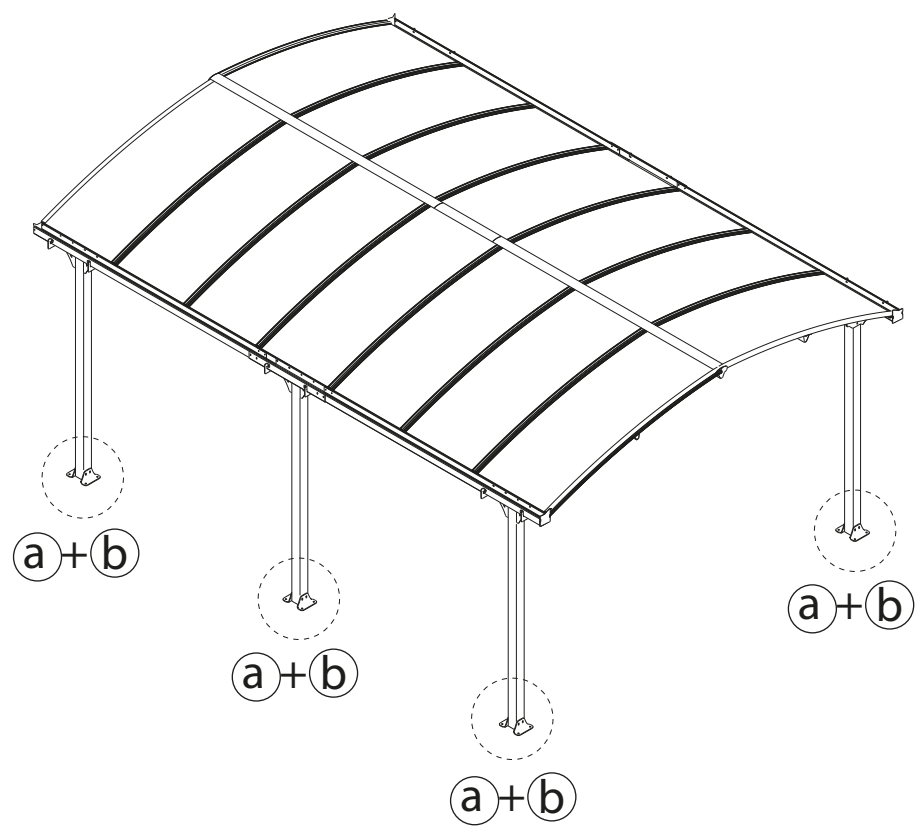


433 .....  ..... x22

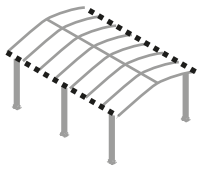
4000 .....  ..... x22

4010 .....  ..... x22

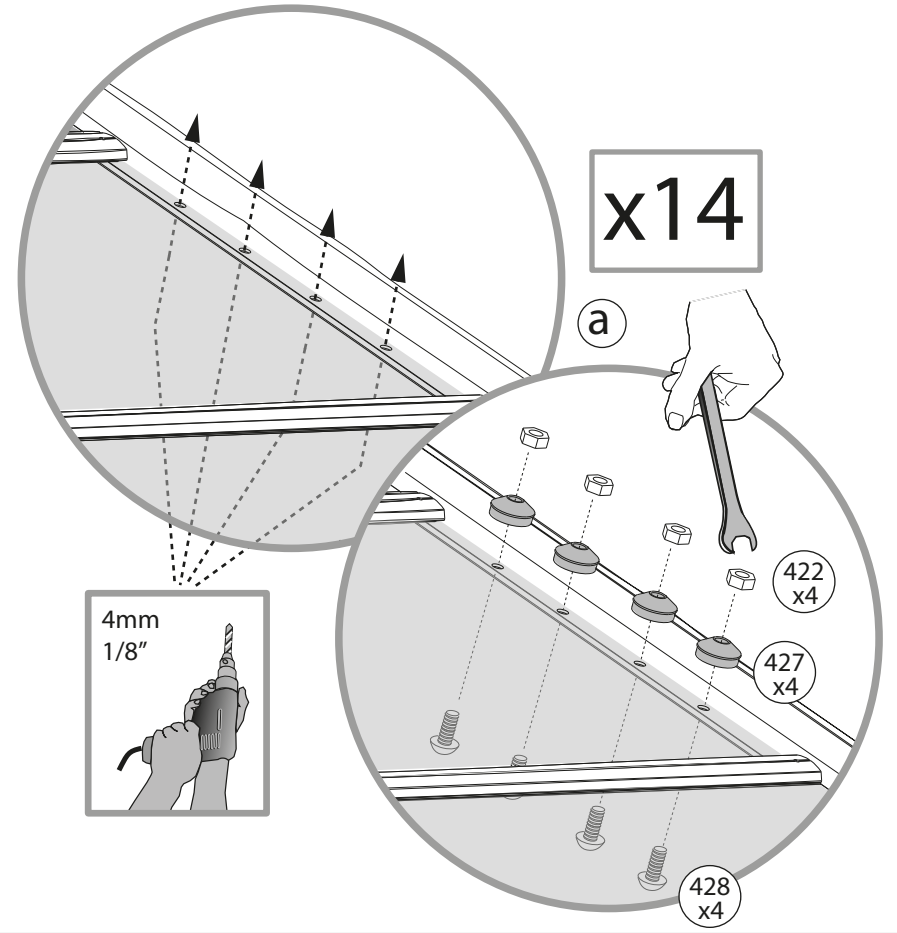
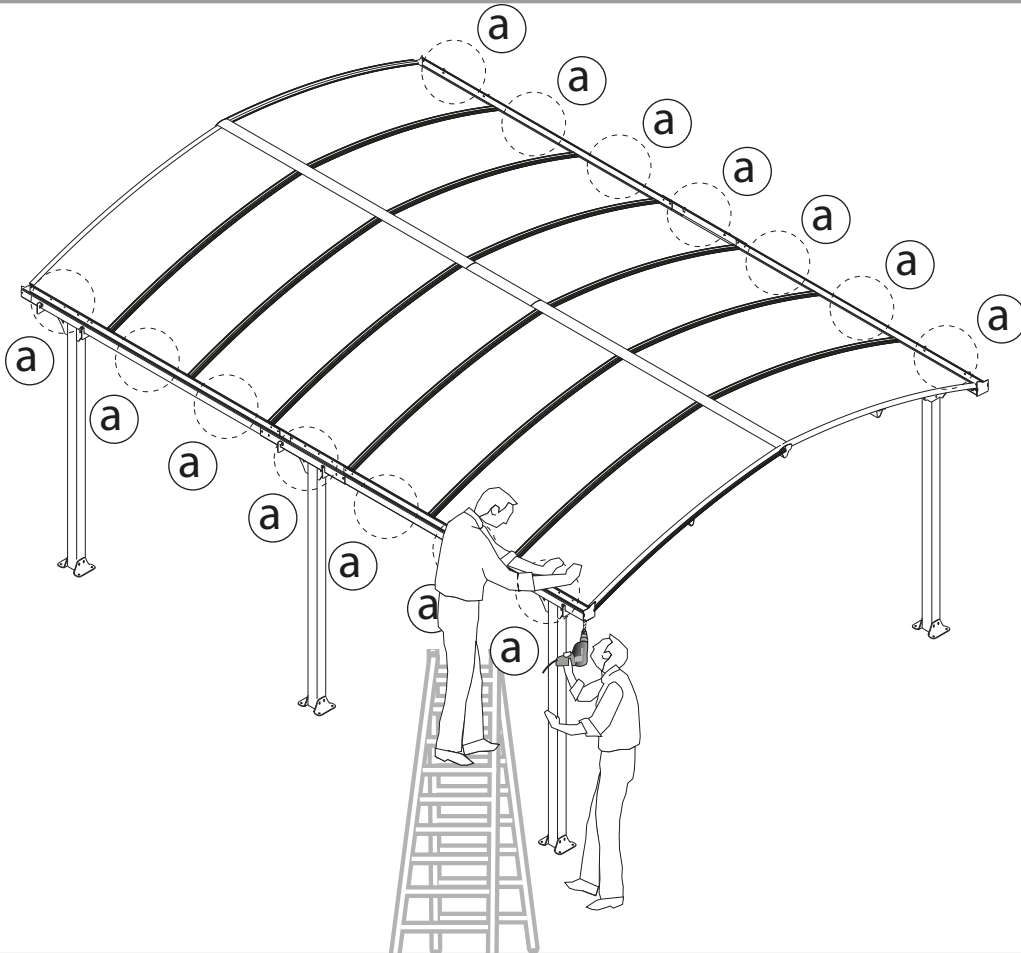
5000 .....  ..... x22







- 421 .....  ..... x56
- 427 .....  ..... x56
- 422 .....  ..... x56



# 32 OPTION

